



XYG-SK(LOK) 系列 双卡套管接头

XYG-SK(LOK) Tube Fittings With Double Furrules

SINYA



目 录

CONTENT

	09	● -SK01型前卡套 Front Ferrule		19	● -SKR型变径接头 Heat Exchange Tee
	09	● -SK02型后卡套 Back Ferrule		20	● -SKRPC型异径孔口接头 Reducing Port Connector
	09	● -SK03型卡套螺母 Nut		20	● -SKPC型孔口接头 Port Connector
	10	● -SK04型软管衬套 Tube Insert		21	● -SK1(NPT)型外螺纹直通接头 Male Connector
	10	● -SK6型直通中间接头 Union		21	● -SK1-TD型热电偶连接器 Thermocouple Connector
	11	● -SK6R型直通异径接头 Reducing Union		22	● -SK1(NPT)型螺纹直通接头 Male Connector(in)
	12	● -SK3型三通中间接头 Union Tee		23	● -SK1(G)型外螺纹直通接头 Male Connector
	13	● -SK3R型三通异径接头 Reducing Union Tee		24	● -SK1(R)型外螺纹直通接头 Male Connector
	14	● -SK9型弯通中间接头 Union Elbow		25	● -SK1(UN)型外螺纹直通接头 Male Connector
	15	● -SK7(NPT)型内螺纹直通 Female Connector		25	● -SK1(UNF)型外螺纹直通接头 Male Connector
	16	● -SK7(R)型内螺纹直通 Female Connector		26	● -SK1-CH型焊接直通接头 Weld Connector
	16	● -SK7(G)型内螺纹直通 Female Connector		26	● -SK1-CHF型承插焊直通接头 Socket Weld Connector
	17	● -SKR型变径接头 Reducer		27	● -SK2(NPT)型外螺纹弯通接头 Male Elbow
	18	● -SKR型变径接头 Reducer		28	● -SK2-CHF型承插焊弯通接头 Socket Weld Elbow

XYG-SK(LOK)系列双卡套管接头



XYG – SK(LOK) Tube Fittings With Double Furrules

- | | | | | | |
|---|----|--|---|----|--|
|  | 29 |  -SK2(R)型外螺纹弯通接头
Male Elbow |  | 38 |  -SKAM型外螺纹转换接头
Male Adapter |
|  | 29 |  -SK2-CH型对焊弯通接头
Pipe Weld Elbow |  | 39 |  -SKA-ANF型转换接头
Adapter |
|  | 30 |  -SK8型内螺纹弯通接头
Female Elbow |  | 39 |  -SKA-ANM型转换接头
Adapter |
|  | 31 |  -SKTMT型外螺纹侧三通
Male Side Tee |  | 39 |  -SK61-ANM型直通穿板转换接头
Let-Lok Bulkhead union |
|  | 31 |  -SKTFT型内螺纹侧三通
Female Side Tee |  | 40 |  -SKM型外螺纹
Male |
|  | 32 |  -SKTTM型外螺纹支管三通
Male Branch Tee |  | 40 |  -SK6F型内卡式直通中间
Union |
|  | 33 |  -SKTTF型内螺纹支管三通
Female Side Tee |  | 40 |  -SKRF型变径中间接头
Reducing Union |
|  | 33 |  -SK61型直通穿板接头
Bulkhead Union |  | 40 |  -SK3F型内卡式三通中间
Union Tee |
|  | 34 |  -SK71型内螺纹穿板接头
Bulkhead Female Connector |  | 41 |  -SK51型45°弯通接头
Male Elbow |
|  | 34 |  -SKR1型变径穿板接头
Bulkhead Reducer |  | 41 |  -SK5ST型可定位45°弯通接头
Male Elbow |
|  | 34 |  -SK11型外螺纹穿板接头
Bulkhead Male Connector |  | 41 |  -SK2ST型可定位90°弯通接头
Male Elbow |
|  | 35 |  -SK4型四通中间接头
Union Cross |  | 42 |  -SKTRT型可定位侧三通接头
Male Run Tee |
|  | 36 |  -SKC型管堵
Cap |  | 42 |  -SKTTS型可定位支管三通接头
Male Branch Tee |
|  | 36 |  -SKP型堵头
Plug |  | 42 |  -SKTTR型可定位支管三通接头
Male Branch Tee |
|  | 37 |  -SKAF型内螺纹转换接头
Female Adapter |  | 43 |  -SK-FW型法兰接头
Flange Connector |
| | | |  | 43 |  -SK-WS型卫生法兰接头
Sanitary Flange Connector |

● -SK (LOK) 系列双卡套管接头介绍

自1990年成立以来，扬中新亚自控工程有限公司-SK(LOK)已经采用多种材料制造出适用于高压环境的高质量导管和管接头。

近二十年来，由于在研究与开发方面投入了巨大的努力，扬中新亚自控工程有限公司成为高质量仪表产品制造领域的领跑者，闻名遐迩，声誉卓著

由于人们对高压环境导管连接件的需要日益快速增长，-SK(LOK)系列管接头的开发就是为了满足这一需要，该系列管接头适用于石化、流体、发电、核电、电子以及其他主要工业行业。-SK(LOK)系列管接头的制造工艺及测试手段十分精细，能够满足人们对高性能管接头的需要，例如，高压、冲击、振动、真空和高温等。该系列导管连接件的制造工艺采用了最现代化的先进电脑自动控制技术，能够满足苛刻的配合公差要求。制造这些精密机械加工导管接头的主要手段之一是：执行高标准的质量控制，同时采用技术娴熟的技师。

● -SK (LOK) 系列双卡套管接头的工作原理

-SK(LOK)系列管接头是一种用来密封及夹紧导管材料的机械装置。接头的机械优点和几何形状使该机械装置成为一个能够防止泄漏的密封性组件。

装配接头组件时，其需把导管插入一成套组件，当管子达到最底部，接触到接头体的凸肩即可。沿顺时针方旋转卡套螺母时，所产生的机械推力在卡套螺母和接头体之间把接头组件的两个卡套向前推动。该机械推力逆着前卡套②的锥形背面推动后卡套③，同时，推力把前卡套推入接头体的锥形渐缩口中。后卡套被向内的径向作用力挤压到导管上，此时，把前卡套抽出、在接头体的锥形渐缩表面上形成整面的密封。当用手转动感到已经拧紧的时候，从该手动拧紧置把卡套螺母再旋转1/4圈，即可确保密封件所受的推力均匀。这样就可以保证在高压和超高真空的环境中仍然能够获得有效的密封效果。

● -SK (LOK) Tube Fittings Description

Yangzhong Xinya company has produced high quality tube and pipe fittings in various materials for high pressure applications since its establishment in 1990.

As a result of tremendous efforts in research and development during the last 20 years, Yangzhong Xinya has gained an excellent reputation as a leading manufacturer of high pressure instrumentation products.

The -SK(LOK) range of connectors has been developed to fill the rapidly increasing for tube fittings suitable for high pressure used in environments such as petrochemical, fluid, power, nuclear, electronic, as well as other major industrial settings. -SK(LOK) tube fittings have been carefully manufactured to withstand the persistent demands for high-performance tube fittings. Each one has passed a stringent tolerance test for high pressure, impulse, vibration, vacuum and temperature. These precision-machined fittings are manufactured to exacting standards, employing the most modern state-of-the-art computerized. All -SK(LOK) fittings are backed by Xinya's commitment to the highest quality-control standards and skilled craftsmanship.

● -SK(LOK)How does it work

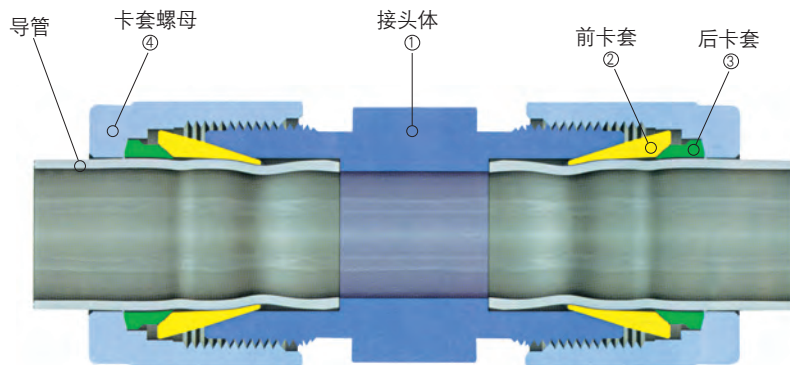
The -SK(LOK) tube fitting is a mechanism used both to seal and to grip tubing. The mechanical advantage and geometry of this kind of fitting produces a leak-tight assembly.

To assemble, simply insert the tube into the complete assembly until the tube bottoms-out against the shoulder of the fitting body. The two ferrules are driven forward between the nut and the fitting body using the mechanical force created by rotating the nut clockwise. The back ferrule is driven against the tapered rear of the front ferrule and the front ferrule is driven by force into the tapered mouth of the body. The rear ferrule is swaged radially inwards on the tube while lifting the front ferrule out to form a full-faced seal on the tapered surface of the body.

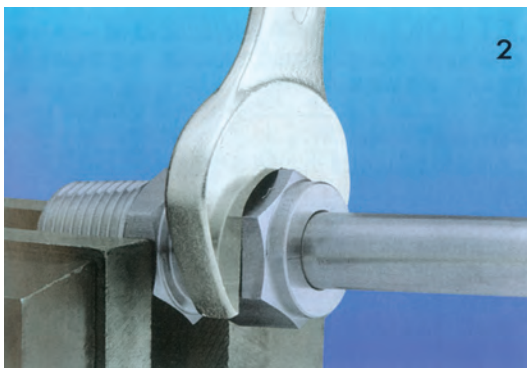
The 1/4 turn of the nut from the hand tight position assures consistent drive of the sealing members. This ensures an effective seal against high pressure as well as ultra conditions.

● -SK (LOK) 系列双卡套管接头由下列四个部件组成 tube fittings are composed of four parts:

1. 接头体 body
2. 前卡套 front ferrule
3. 后卡套 back ferrule
4. 卡套螺母 nut



● -SK(LOK)系列管接头安装说明 Installation Instructions



-SK (LOK) 系列管接头供货时已经装配好的成品，已用手指旋转至感觉到紧的程度。如果使用之前拆卸，就可能让污垢或其他杂物微粒进入接头内部。

-SK (LOK) fittings are supplied assembled and finger tight. Disassembly before use can allow the entry of dirt of other particles.

1. 把导管插入-SK (LOK) 系列管接头。检查导管是否稳固地支撑在接头的凸肩上，同时检查卡套螺母是否已经用手指旋转至感觉到紧的程度。此时，建议在卡套螺母的六角头螺母上划标记，该标记一直延伸到接头体上。该标记将作为起始点和适当的停止点的指示标记。

Insert the tubing into the -SK (LOK) fitting. Check that the tube rests firmly on the fitting shoulder and that the nut is finger tight. At this point it is recommended that a scribe mark be drawn on the hex of the nut extending onto the fitting body. This mark will serve as an indicator for the starting point and proper pull-up.

2. 把卡套螺母拧紧(参见下图A和B) Tighten the nut (Shown as Fig. A & B);

对于1/4英寸(6毫米)及以上的管接头，要求把卡套螺母旋转11/4圈。对于3/16英寸(4毫米)及以下的管接头，要求把卡套螺母旋转3/4圈。1-1/4 turns of the nut are required for 1/4 inch (6mm) and higher. 3/4 turn of the nut is required for 3/16 inch (4mm) and lower.

导管的切割 Tube cutting

切割导管可采用下列两种不同的方法：

Two different methods can be used to cut tubes:

1. 切管刀 Tube cutter
2. 弓锯(钢锯) Hacksaw

切管刀 Tube cutter

■要想使接头处的连接不会发生泄漏，导管的切口必须平直。建议使用优质的切管刀，切管刀的刀片应与需要切割的导管材料相适应。

To attain a leak free connection, the tubing must be cut squarely. A good quality tube cutter with the appropriate blade for the tubing material is recommended.

■不要为了缩短切割时间而把切管刀的每圈切口切得很深。这样做会使导管出现加工硬化的现象。

Don't try to reduce the time of cutting by taking deep cuts with each turn of the cutter. This will work harden the tube.

■必须清理导管末端的毛刺，以免对管接头造成损坏，同时，这样做还可以保证导管能够达到接头的底部。

The end of the tube must be deburred to avoid damage to the fitting and to ensure that the tube reaches the bottom of the fitting.

弓锯(钢锯)切割 Hacksaw Cutting

■使用弓锯(钢锯)切割导管时，要想获得平直的管端，必须使用锯管导向块。

In order to cut the tube with a hacksaw and get square ends, the tube must be cut with guide blocks.

■这种切割方法需要清理导管末端的毛刺。

This method of cutting necessitates deburring of the tube ends.

警告 Warning

不要用老虎钳夹持导管将要插入接头中的部位(老虎钳会在导管上造成伤痕，该伤痕可能会导致泄漏，还可能使导管变成椭圆形)。

Don't hold the tube in a vise in the place where it will be inserted into the fitting (the vise will leave a mark on the tube that may cause leaks and might cause ovality.)

导管的搬运 Tube Handling

导管上的刮痕可能会引起泄漏。因此，搬运管材时，小心轻放，以便减少泄漏的风险，做到这点十分重要。

Scratches on the tube might cause leaks. It is, therefore, important to handle the tube carefully to reduce the risk of leaks.

需要采取的一些预防措施: Some Precautions to be Taken

1. 严禁在地板上拖曳管材。

Tubes must not be dragged on the floor.

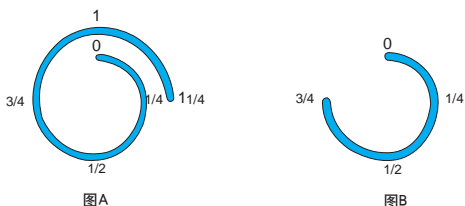
2. 严禁把管材从管架上拖曳出来，尤其是外径较大的管材，更须禁止如此操作。

Tubes must not be dragged out of a tubing rack, especially in case of large OD tubes.

铜管 Copper Tubing

如果要成卷的铜管卷盘中取用铜管，应先握住管材的末端，然后向外滚动铜管卷盘，让铜管平放在平坦的地面上。

If using copper tubing from a roll, hold the end of the tube and roll the roll outwards allowing the tubing to lie on a flat surface.



重新组装说明 Reassembly Instructions

-SK(LOK)系列接头的连接可以拆开，之后还可以多次重复地重新组装，防泄漏密封件不会受到任何影响。

-SK(LOK) connections may be disconnected and remade repeatedly, without loss of leaktight seal.

1. 拆开之前，标记卡套螺母与接头体的相对位置。

Before disconnecting, mark the position of the nut in relation to the fitting body.

2. 重新组装时，使用扳手把卡套螺母上紧到原先的位置。

To reassemble, use a wrench until a tighten nut to original position.

3. 用扳手轻轻地拧紧，感到扭矩略微增加即可。

Tighten slightly with wrench until a slight rise in torque is felt.

间隙检验塞规 Inspection Gauge

使用说明：此检验塞规为“合格—不合格”式量规(即：无尺寸刻度)，应遵照下列方法使用：

Use: This is a No-Go" gauge and should be used as follows:

1. 按照下列说明旋转管接头：

1/4英寸(6毫米)，3/8英寸，1/2英寸(12毫米)——当用手指旋转感觉到已经拧紧的时候，从该手指拧紧位置开始，再旋转1 1/4圈。

Make up the fitting according to the following instructions: 1/4" (6mm), 3/8" and 1/2"(12mm)—make up 1-1/4" turns from finger tight.

2. 使用适当大小的检验塞规，检查卡套螺母和接头体之间的缝隙。

如果该检验塞规很容易滑入缝隙中，则需进一步旋紧卡套螺母，直到检验塞规不能进入缝隙为止。

Check gap between nut and body, using the appropriate sized gauge. If the gauge slides easily into the gap, tighten the nut further until gauge can not enter the gap.

检验塞规能够进入缝隙——不合格。应再次进一步旋紧卡套螺母。

Gauge enters gap, no good, tighten further.

检验塞规能够进入缝隙——合格。

Gauge does not enter, good.

仅提供下列规格的检验塞规：Inspection gauges are available in:

1/4英寸(6毫米)，3/8英寸，1/4 inch (6mm), 3/8 inch,

1/2英寸(12毫米)旋转1 1/4圈 1/2 inch (12mm) with 1-1/4 turns.

—SK (LOK) 双卡套系列管接头的配管数据 —SK (LOK) Tubing Data

经退火处理的304型或316型不锈钢管，符合*美国试验与材料协会标准*之“A213规范”或“A269规范”(即ASTM A213或ASTM A269)，或者符合与这些规范相当的规范。所采用的极限抗张强度为75,000磅/平方英寸(psi)，相当于5167巴(bar)。适用的金属温度范围为：-20° F至100° F(-29°C—37°C)。

Annealed 304 or 316 stainless steel tubing complying with ASTM A213, A269 or equivalent specifications. Based on ultimate tensile strength of 75000 psi (5167 bar). For metal temperature from -20° F -100° F(-29°C-37°C).

推荐的定货规格为：经充分退火处理的优质(304或316号)不锈钢液压管，符合*美国试验与材料协会标准*之“A213规范”或“A269规范”(INASTM A213或ASTMA269)*，或者符合与这些规范相当的规范，无缝隙，或者焊接及退火硬度不超过洛氏硬度值Rb80。管材应无划伤痕迹，适合进行扩口及弯曲加工。

表1：不锈钢管材料，管壁厚度尺寸用英寸表示
Stainless Steel Tubing wall Thickness of Tube in Inches

导管外径 Tubing OD (mm) (in)	.010	.012	.014	.016	.020	.028	.035	.049	.065	.083	.095	.109	.120
1/16	5600	6860	8150	9480	12080								
2 1/8	无缝管材的工作压力按下列方法计算：					8550	10950						
3 3/16	单焊管：压力额定值乘以0.80。					5500	7100	10300					
6 1/4	双焊管：压力额定值乘以0.85。 (单位：Psig，即：磅/平方英寸)								4100	5200	7600	10300	
8 5/16							4100	5900	8100				
10 3/8								3350	4850	6550			
12 1/2	Working pressure for seamless tubing: Multiply pressure rating by .80 for single welded tubing.					2650	3750	5150	6750				
16 5/8	Multiply pressure rating by .85 for double welded tubing. (Unit: Psig, that is, psi/square inch)										2950	4050	5250
20 3/4								2450	3350	4250	4950	5850	
22 7/8								2050	2850	3650	4250	4850	
25 1									2400	3100	3600	4200	4700

XYG-SK(LOK)系列双卡套管接头



XYG – SK(LOK) Tube Fittings With Double Furrules

Suggested ordering information: Fully annealed high quality (Type 304 or 316) stainless steel hydraulic tubing ASTM A269 or A213 or equivalent, seamless or welded and drawn with a hardness of Rb80 or less. Tubing should be without scratches and suitable for flaring and bending.

经退火处理的无缝铜管，符合“美国试验与材料协会标准”之“B68规范”及“875规范”(即ASTM B68及ASTM B75)，如该标准“回火目的060”部分中的规定所述。所采用的极限抗张强度为30,000磅/平方英寸(psi)，相当于2067巴(bar)，适用的金属温度范围为：-20° F至100° F(-29至37°C)。Annealed copper seamless tubing complying with ASTM B68 and ASTM B75 specified in temper designation 060. Based on ultimate tensile strength of 30000 psi (2067 bar). For metal temperatures from -20° F -100° F(-29°C-37°C).

推荐的定货规格为：经过软化退火的优质无缝铜管，符合“美国试验与材料协会标准”之“875规范”(即ASTM B75)。

Suggested ordering information: High quality soft annealed seamless copper tubing ASTM B75 or equivalent.

确定较高温度条件下的许可压力时，用表3的系数乘以表1和表2的许可工作压力。示例：尺寸为1/2英寸外径x0.49英寸管壁厚度的316型不锈钢管，在800° F(427°C)的温度环境中，其许可工作压力为：3750磅/平方英寸x0.79=2962.5磅/平方英寸。To determine allowable pressure at higher temperatures, multiply allowable working pressure from Table 1 & 2 by factor shown in Table 3.

For example, The allowable pressure for Type 316 stainless steel, size 1/2" OD x .049" wall at 800° F (427°C) would be equivalent to 3750 psi x 0.79=2962.5 psi.

气体的特点是具有较小的分子，这些小分子可以通过极小的泄漏孔隙溢出。因此，选择用于输送气体的导管时，建议选用具有较大管壁厚度的管材。表4列出推荐的管壁厚度，这些管壁厚度能够保证较大的安全性和较高的效率。Gases are characterized by small molecules; which can escape through the smallest leak path. For gas application, we recommend for gas applications to select tubing with greater wall thickness. Table 4 shows the recommended wall thickness for greater safety and efficiency.

表2: 铜管，管壁厚度尺寸用英寸表示
Copper Tubing wall Thickness of Tube in Inches

导管外径 Tubing OD (mm) (in)		.028	.035	.049	.065	.083	.095	.109	.120
2	1/8	2700	3600						
3	3/16	1800	2300	3400					
6	1/4	1300	1600	2500	3500				
8	5/16		1300	1900	2700				
10	3/8		1000	1600	2200				
12	1/2		800	1100	1600	2100			
16	5/8			900	1200	1600	1900		
20	3/4			700	1000	1300	1500	1800	
22	7/8			600	800	1100	1300	1500	
25	1			500	700	900	1100	1300	1500

表3: 在较高温度条件下，用于确定容许压力的因素
Factors used to determine allowable pressure at higher temperatures

° F	° C	A.I.S.I. 316型不锈钢 (美国钢铁协会标准) AISI 316 SS	铜 COPPER
200	93	1	0.80
400	204	0.96	0.50
600	316	0.85	—
800	427	0.79	—
1000	538	0.76	—
1200	649	0.37	—

表4: 气体导管 英制(in) Gas Application Tubing

导管外径 Tubing OD	最小标称壁厚 Min. Nominal Wall Thickness
1/8"	0.028"
1/16"	0.028"
1/4"	0.028"
5/16"	0.035"
3/8"	0.035"
1/2"	0.049"
5/8"	0.065"
3/4"	0.065"
7/8"	0.083"
1"	0.083"

公制(mm)

导管外径 Tubing OD	最小标称壁厚 Min. Nominal Wall Thickness
3mm	0.8mm
6mm	0.8mm
8mm	1.0mm
10mm	1.0mm
12mm	1.0mm
14mm	1.2mm
16mm	1.5mm
18mm	1.5mm
20mm	1.8mm
22mm	2.0mm
25mm	2.2mm

警告! 为了保证您的安全，在选择适合特殊使用要求的产品时，导管系统的设计人员和用户必须承担全部责任，以确保产品的安装、运行和维护都能够顺利地实施。在作出每个选择时，系统的详细资料、材料的可混用性、以及产品的额定参数都应加以考虑。产品的选择或使用如有不当，将有可能导致财产损失或人身伤害。
Warning! For your safety. The system designer and user have the sole responsibility to select products suitable for their special application requirements and to ensure the proper installation, operation and maintenance of the product. Please consider application details, material compatibility and product ratings when making your selection. Improper selection or use can cause property damage or personal injury.

扬中新亚自控工程有限公司

YANGZHONG SINYA AUTO-CONTROL ENGINEERING CO.,LTD.

● 订货方法：-SK(LOK)系列双卡套管接头订货号遵循以下所示顺序
Order Information: Refer to the following rules for XYG-SK(LOK) connectors

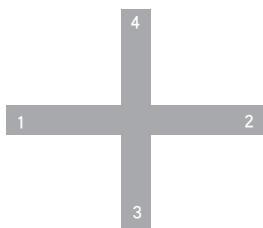


A材料 Material
A = 铝Aluminuml
B = 黄铜Brass
C20 = 合金Alloy 20
HC = 合金Alloy C-276
INC = 合金Alloy 600
M = 合金Alloy 400/R-405
NY = 尼龙Nylon
S = 碳钢Carbon Steel
SS = 316不锈钢Stainless Steel
T = PTFE
SI = 钛Titanium
625 = 合金Alloy 625
825 = 合金Alloy 825
SS1 = 321不锈钢Stainless Steel
SS2 = 304不锈钢Stainless Steel
SS3 = 304L不锈钢Stainless Steel

B=SK表示双卡套管接头
B=SK indicates the tube fittings with double ferrules

说明Description:
三通和四通的订购号首先表示直通的尺寸(1至2), 然后是支管的尺寸(三通接头的3和四通的3至4)
304L不锈钢Stainless Steel

For tees & crosses, the ordering information should be the main dimension first (1~2), then the branch dimension followed (3 for tees and 3~4 for crosses)



C接头类形 Fitting Types
1 = 外螺纹直通接头Male Connector
2 = 外螺纹弯通接头Male Elbow
3 = 等径(异径)三通接头Run Tee
4 = 等径(异径)四通接头Union Cross
5 = 45°弯通接头45° Elbow
6 = 等径(异径)中间接头Reducing Union
7 = 内螺纹直通接头Female Connector
8 = 内螺纹弯通接头Female Elbow
9 = 等径(异径)弯通接头Reducing Union Elbow
11 = 直通穿板外螺纹接头Bulk Head Male Connector
61 = 等径(异径)穿板接头Bulkhead Union
71 = 直通穿板内螺纹接头Bulkhead Female Connector
A = 转换接头Adaptor
C = 管帽Cap
P = 堵塞Plug
PC = 孔口连接Port Connector
R = 变径接头Reducing Port Connector
R1 = 穿板变径接头Bulkhead Reducer
2R = 变径弯头Reducer
TFT = 三通、内螺纹直通Female Run Tee
TMT = 三通、外螺纹直通Male Run Tee
TRT = 三通、ISO/BSP平行外螺纹可定位直通 Tee、ISO/BSP straight thread Boss Positionable
TST = 三通带O型圈外螺纹的直螺纹可定位直通 Tee with O ring Male straight thread Boss (Positionable)
TTF = 内螺纹支管三通Female Run Tee
TTM = 外螺纹支管三通Male Run Tee
TTR = 三通ISO/BSP平行外螺纹可定位、支管 Tee、ISO/BSP straight male thread positionable branch
TTS = 三通带O型圈外螺纹的可定位、支管 Tee with O ring male straight thread positionable branch

D配管尺寸 OD size	
英制 (in)	公制 (mm)
1 = 1/16	2 = 2mm
2 = 1/8	3 = 3mm
3 = 3/16	4 = 4mm
4 = 1/4	6 = 6mm
5 = 5/16	8 = 8mm
6 = 3/8	10 = 10mm
8 = 1/2	12 = 12mm
10 = 5/8	14 = 14mm
12 = 3/4	15 = 15mm
14 = 7/8	16 = 16mm
16 = 1	18 = 18mm
18 = 11/8	20 = 20mm
20 = 11/4	22 = 22mm
24 = 11/2	25 = 25mm
32 = 2	28 = 28mm
	32 = 32mm

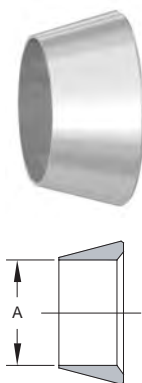
E第二端尺寸
Second End connection size
若有第二端或是变径接头, 从配管尺寸表中添加一个尺寸代号
NPT螺纹尺寸与配管英制尺寸相同
NPTthread size is the same as the size of the tube metric size.
ISO螺纹尺寸后加G、R等
G or R is added to the ISO thread size.

F第二端接类型
F Second End Connection Type
根据需要增加一个第二端接类型代号
Add a Second End Connector type if necessary.
AN = 37° 外螺纹扩口Flared Male
ANF = 37° 内螺纹扩口Flared Female
CH = 公称管对焊DN Tube BW
CHF = 卡套管承插焊OD Tube SW
WS = 卫生接头Sanitary Connector

XYG-SK(LOK)系列双卡套管接头

XYG - SK(LOK) Tube Fittings With Double Ferrules

● -SK01型前卡套 Front Ferrule (mm)



基本订货号 Order information	A 导管外径 (mm)
-SK01-2mm	2
-SK01-3mm	3
-SK01-4mm	4
-SK01-6mm	6
-SK01-8mm	8
-SK01-10mm	10
-SK01-12mm	12
-SK01-14mm	14
-SK01-15mm	15
-SK01-16mm	16
-SK01-18mm	18
-SK01-20mm	20
-SK01-22mm	22
-SK01-25mm	25

● -SK01型前卡套 Front Ferrule (in)

基本订货号 Order information	A 导管外径	
	英寸 (in)	毫米 (mm)
-SK01-1	1/16	1.58
-SK01-2	1/8	3.17
-SK01-3	3/16	4.76
-SK01-4	1/4	6.35
-SK01-5	5/16	7.93
-SK01-6	3/8	9.52
-SK01-8	1/2	12.70
-SK01-10	5/8	15.87
-SK01-12	3/4	19.05
-SK01-14	7/8	22.22
-SK01-16	1	25.40

● -SK02型后卡套 Back Ferrule (mm)

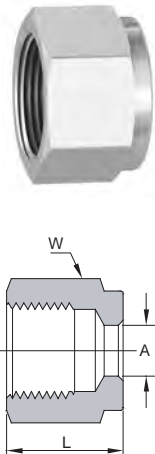


基本订货号 Order information	A 导管外径 (mm)
-SK02-2mm	2
-SK02-3mm	3
-SK02-4mm	4
-SK02-6mm	6
-SK02-8mm	8
-SK02-10mm	10
-SK02-12mm	12
-SK02-14mm	14
-SK02-15mm	15
-SK02-16mm	16
-SK02-18mm	18
-SK02-20mm	20
-SK02-22mm	22
-SK02-25mm	25

● -SK02型后卡套 Back Ferrule (in)

基本订货号 Order information	A 导管外径	
	英寸 (in)	毫米 (mm)
-SK02-1	1/16	1.58
-SK02-2	1/8	3.17
-SK02-3	3/16	4.76
-SK02-4	1/4	6.35
-SK02-5	5/16	7.93
-SK02-6	3/8	9.52
-SK02-8	1/2	12.70
-SK02-10	5/8	15.87
-SK02-12	3/4	19.05
-SK02-14	7/8	22.22
-SK02-16	1	25.40

● -SK03型卡套螺母 Nut (mm)



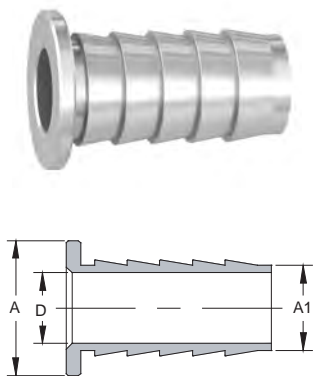
基本订货号 Order information	A 导管外径 (mm)	W 六角 (HEX) 毫米 (mm)		L 毫米 (mm)
		英寸 (in)	毫米 (mm)	
-SK01-2mm	2	12	12	11.9
-SK01-3mm	3	12	12	11.9
-SK01-4mm	4	12	12	11.9
-SK01-6mm	6	14	14	12.7
-SK01-8mm	8	16	16	13.5
-SK01-10mm	10	19	19	15.1
-SK01-12mm	12	22	22	17.4
-SK01-14mm	14	25	25	17.4
-SK01-15mm	15	25	25	17.4
-SK01-16mm	16	25	25	17.4
-SK01-18mm	18	30	30	17.4
-SK01-20mm	20	32	32	17.4
-SK01-22mm	22	32	32	17.4
-SK01-25mm	25	38	38	20.6

● -SK03型卡套螺母 Nut (in)

基本订货号 Order information	A 导管外径		W 六角 (HEX)		L 英寸 毫米 (in) (mm)
	英寸 (in)	毫米 (mm)	英寸 (in)	毫米 (mm)	
-SK03-1	1/16	1.58	5/16	7.93	0.31 7.87
-SK03-2	1/8	3.17	7/16	11.11	0.47 11.93
-SK03-3	3/16	4.76	1/2	12.70	0.47 11.93
-SK03-4	1/4	6.35	9/16	14.28	0.50 12.70
-SK03-5	5/16	7.93	5/8	15.87	0.53 13.46
-SK03-6	3/8	9.52	11/16	17.46	0.56 14.22
-SK03-8	1/2	12.70	7/8	22.2	0.69 17.52
-SK03-10	5/8	15.87	1	25.40	0.69 17.52
-SK03-12	3/4	19.05	1 1/8	28.57	0.69 17.52
-SK03-14	7/8	22.22	1 1/4	31.75	0.69 17.52
-SK03-16	1	25.40	1 1/2	38.10	0.81 20.57

尺寸仅供参考，并随时可能改变。The size is only for reference and can be changed accordingly.

● -SK04型软管衬套 Tube Insert (mm)

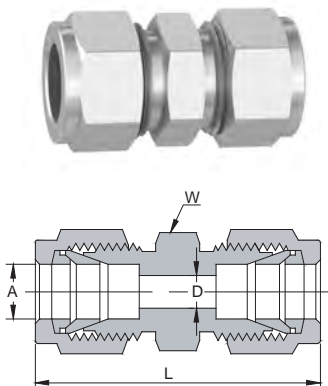


基本订货号 Order information	A 毫米 (mm)	A1 毫米 (mm)	D 毫米 (mm)
-SK04-6mm-4mm	6	4	2.8
-SK04-8mm-6mm	8	6	4.4
-SK04-10mm-8mm	10	8	6.4
-SK04-12mm-8mm	12	8	6.4
-SK04-12mm-10mm	12	10	8.3

● -SK04软管衬套 Tube Insert (in)

基本订货号 Order information	A		A1		D	
	英寸 (in)	毫米 (mm)	英寸 (in)	毫米 (mm)	英寸 (in)	毫米 (mm)
-SK04-3-2	3/16	4.76	1/8	3.17	0.09	2.28
-SK04-4-2	1/4	6.35	1/8	3.17	0.09	2.28
-SK04-4-3	1/4	6.35	3/16	4.76	0.14	3.55
-SK04-5-2	5/16	7.93	1/8	3.17	0.09	2.28
-SK04-5-3	5/16	7.93	3/16	4.76	0.12	3.05
-SK04-5-4	5/16	7.93	1/4	6.35	0.19	9.52
-SK04-6-3	3/8	9.52	3/16	4.76	0.12	3.05
-SK04-6-4	3/8	9.52	1/4	6.35	0.19	9.52
-SK04-8-4	1/2	12.70	1/4	6.35	0.19	9.52
-SK04-8-6	1/2	12.70	3/8	9.52	0.31	7.87
-SK04-10-6	5/8	15.87	3/8	9.52	0.31	7.87
-SK04-10-8	5/8	15.87	1/2	12.70	0.44	11.17
-SK04-12-8	3/4	19.50	1/2	12.70	0.44	11.17
-SK04-12-10	3/4	19.50	5/8	15.87	0.56	14.22
-SK04-16-12	1	25.40	3/4	19.05	0.69	17.52

● -SK6型直通中间接头 Union (mm)



基本订货号 Order information	A 毫米 (mm)	D 毫米 (mm)	W 毫米 (mm)	L 毫米 (mm)
-SK6-2mm	2	1.7	12	35.2
-SK6-3mm	3	2.4	12	35.3
-SK6-4mm	4	2.4	12	36.5
-SK6-6mm	6	4.8	14	41.0
-SK6-8mm	8	6.4	15	43.2
-SK6-10mm	10	7.9	18	45.9
-SK6-12mm	12	9.5	22	51.2
-SK6-14mm	14	11.1	24	52.0
-SK6-15mm	15	11.9	24	52.0
-SK6-16mm	16	12.7	24	52.0
-SK6-18mm	18	15.1	27	53.5
-SK6-20mm	20	15.9	30	55.0
-SK6-22mm	22	18.3	30	55.0
-SK6-25mm	25	21.8	35	65.0

● -SK6型直通中间接头 Union (in)

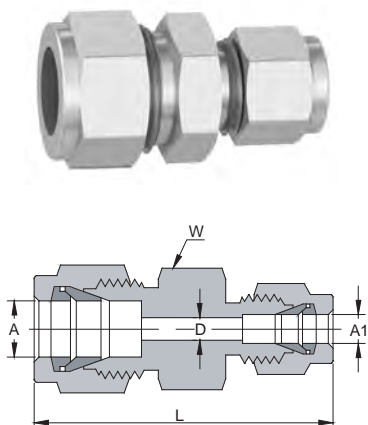
基本订货号 Order information	A		D		W		L	
	英寸 (in)	毫米 (mm)	英寸 (in)	毫米 (mm)	英寸 (in)	毫米 (mm)	英寸 (in)	毫米 (mm)
-SK6-1	1/16	1.58	0.05	1.27	5/16	7.93	0.99	25.14
-SK6-2	1/8	3.17	0.09	2.28	7/16	11.11	1.40	35.56
-SK6-3	3/16	4.76	0.12	3.04	7/16	11.11	1.47	37.33
-SK6-4	1/4	6.35	0.19	4.82	1/2	12.70	1.61	40.89
-SK6-5	5/16	7.93	0.25	6.35	9/16	14.28	1.69	42.90
-SK6-6	3/8	9.52	0.28	7.11	5/8	15.87	1.77	44.95
-SK6-8	1/2	12.70	0.41	10.41	13/16	20.63	2.02	51.30
-SK6-10	5/8	15.87	0.50	12.70	15/16	23.81	2.05	52.07
-SK6-12	3/4	19.05	0.62	15.74	11/16	26.98	2.11	53.59
-SK6-14	7/8	22.22	0.72	18.28	13/16	30.16	2.17	55.11
-SK6-16	1	25.40	0.88	22.35	13/8	34.92	2.55	64.77
-SK6-20	11/4	31.75	1.09	27.70	13/4	44.45	3.63	92.20
-SK6-24	11/2	38.10	1.34	34.00	21/8	53.97	4.25	107.95

尺寸仅供参考，并随时可能改变。The size is only for reference and can be changed accordingly.

XYG-SK(LOK)系列双卡套管接头

XYG – SK(LOK) Tube Fittings With Double Furrules

● -SK6R型直通异径接头 Reducing Union (mm/mm)



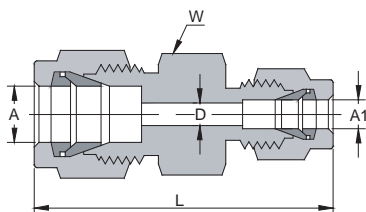
基本订货号 Order information	A 毫米 (mm)	A1 毫米 (mm)	D 毫米 (mm)	W 毫米 (mm)	L 毫米 (mm)
-SK6R-3mm-2mm	3	2	1.7	12	35.3
-SK6R-6mm-2mm	6	2	1.7	14	38.6
-SK6R-6mm-3mm	6	3	2.4	14	38.6
-SK6R-6mm-4mm	6	4	2.4	14	39.4
-SK6R-8mm-6mm	8	6	4.8	15	42.3
-SK6R-10mm-6mm	10	6	4.8	18	44.5
-SK6R-10mm-8mm	10	8	6.4	18	45.1
-SK6R-12mm-6mm	12	6	4.8	22	47.0
-SK6R-12mm-8mm	12	8	6.4	22	47.8
-SK6R-12mm-10mm	12	10	7.9	22	48.7
-SK6R-16mm-10mm	16	10	7.9	24	49.5
-SK6R-16mm-12mm	16	12	9.5	24	52.0
-SK6R-18mm-12mm	18	12	9.5	27	53.5
-SK6R-25mm-18mm	25	18	15.1	35	61.0
-SK6R-25mm-20mm	25	20	15.9	35	62.3

● -SK6R型直通异径接头 Reducing Union (mm/in)

基本订货号 Order information	A 毫米 (mm)	A1 毫米 (mm)	D 毫米 (mm)	W 毫米 (mm)	L 毫米 (mm)
-SK6R-2mm-4	2	1/4	1.7	14	38.6
-SK6R-3mm-2	3	1/8	2.4	12	35.2
-SK6R-4mm-2	4	1/8	2.4	12	36.5
-SK6R-4mm-4	4	1/4	2.4	14	39.4
-SK6R-6mm-2	6	1/8	2.4	14	38.5
-SK6R-6mm-4	6	1/4	4.8	14	41.0
-SK6R-6mm-5	6	5/16	4.8	14	42.3
-SK6R-8mm-2	8	1/8	2.4	15	39.9
-SK6R-8mm-4	8	1/4	4.8	15	42.3
-SK6R-8mm-6	8	3/8	6.4	16	43.5
-SK6R-10mm-2	10	1/8	2.4	18	41.8
-SK6R-10mm-4	10	1/4	4.8	18	44.5
-SK6R-10mm-5	10	5/16	6.4	18	45.1
-SK6R-10mm-6	10	3/8	7.1	18	45.9
-SK6R-12mm-5	12	5/16	6.4	22	47.8
-SK6R-12mm-6	12	3/8	7.1	22	48.4
-SK6R-12mm-8	12	1/2	9.5	22	51.2
-SK6R-15mm-8	15	1/2	10.3	24	52.0
-SK6R-16mm-10	16	5/8	12.7	24	52.0
-SK6R-18mm-12	18	3/4	15.1	27	53.5

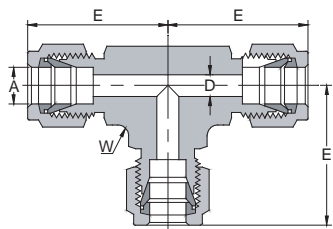
尺寸仅参考，并随时可能改变。The size is only for reference and can be changed accordingly.

● -SK6R型直通异径接头 Reducing Union (in/ in)



基本订货号 Order information	A		A1		D		W		L	
	英寸 (in)	毫米 (mm)	英寸 (in)	毫米 (mm)	英寸 (in)	毫米 (mm)	英寸 (in)	毫米 (mm)	英寸 (in)	毫米 (mm)
-SK6R-2-1	1/8	3.17	1/16	1.58	0.05	1.27	7/16	11.11	1.22	30.98
-SK6R-3-1	3/16	4.76	1/16	1.58	0.05	1.27	7/16	11.11	1.27	32.26
-SK6R-3-2	3/16	4.76	1/8	3.17	0.09	2.28	7/16	11.11	1.44	36.57
-SK6R-4-1	1/4	6.35	1/16	1.58	0.05	1.27	1/2	12.70	1.35	34.29
-SK6R-4-2	1/4	6.35	1/8	3.17	0.09	2.28	1/2	12.70	1.52	38.60
-SK6R-4-3	1/4	6.35	3/16	4.76	0.12	3.04	1/2	12.70	1.55	37.37
-SK6R-5-2	5/16	7.93	1/8	3.17	0.09	2.28	9/16	14.28	1.57	39.88
-SK6R-5-4	5/16	7.93	1/4	6.35	0.19	4.82	9/16	14.28	1.66	42.16
-SK6R-6-1	3/8	9.52	1/16	1.58	0.05	1.27	5/8	15.87	1.44	36.58
-SK6R-6-2	3/8	9.52	1/8	3.17	0.09	2.28	5/8	15.87	1.61	40.89
-SK6R-6-4	3/8	9.52	1/4	6.35	0.19	4.82	5/8	15.87	1.70	43.18
-SK6R-6-5	3/8	9.52	5/16	7.93	0.25	6.35	5/8	15.87	1.74	44.19
-SK6R-8-2	1/2	12.70	1/8	3.17	0.09	2.28	13/16	20.63	1.78	45.21
-SK6R-8-4	1/2	12.70	1/4	6.35	0.19	4.82	13/16	20.63	1.85	46.99
-SK6R-8-6	1/2	12.70	3/8	9.52	0.28	7.11	13/16	20.63	1.91	48.51
-SK6R-10-6	5/8	15.87	3/8	9.52	0.28	7.11	15/16	23.81	1.94	49.27
-SK6R-10-8	5/8	15.87	1/2	12.70	0.41	10.41	15/16	23.81	2.05	52.07
-SK6R-12-4	3/4	19.05	1/4	6.35	0.19	4.82	11/16	26.98	1.94	49.28
-SK6R-12-6	3/4	19.05	3/8	9.52	0.28	7.11	11/16	26.98	2.00	50.80
-SK6R-12-8	3/4	19.05	1/2	12.70	0.41	10.41	11/16	26.98	2.11	53.59
-SK6R-12-10	3/4	19.05	5/8	15.87	0.50	12.70	11/16	26.98	2.11	53.59
-SK6R-16-8	1	25.40	1/2	12.70	0.41	10.41	13/8	34.92	2.38	60.45
-SK6R-16-12	1	25.40	3/4	19.05	0.62	15.75	13/8	34.92	2.38	60.45

● -SK3型三通中间接头 Union Tee (mm)



基本订货号 Order information	A	D	W		E
	毫米 (mm)	毫米 (mm)	英寸 (in)	毫米 (mm)	毫米 (mm)
-SK3-2mm	2	1.7	3/8	9.5	22.3
-SK3-3mm	3	2.4	3/8	9.5	22.3
-SK3-4mm	4	2.4	1/2	12.7	25.4
-SK3-6mm	6	4.8	1/2	12.7	27.0
-SK3-8mm	8	6.4	5/8	16.0	29.9
-SK3-10mm	10	7.9	11/16	17.5	31.5
-SK3-12mm	12	9.5	13/16	20.6	36.0
-SK3-14mm	14	11.1	15/16	23.8	38.8
-SK3-15mm	15	11.9	15/16	23.8	38.8
-SK3-16mm	16	12.7	15/16	23.8	38.8
-SK3-18mm	18	15.1	11/8	28.6	39.8
-SK3-20mm	20	15.9	13/8	34.9	44.6
-SK3-22mm	22	18.3	13/8	34.9	44.6
-SK3-25mm	25	21.8	13/8	34.9	49.1

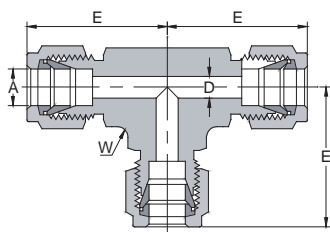
尺寸仅参考，并随时可能改变。The size is only for reference and can be changed accordingly.

XYG-SK(LOK)系列双卡套管接头



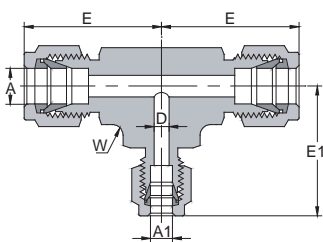
XYG – SK(LOK) Tube Fittings With Double Furrules

● -SK3型三通中间接头 Union Tee (in)

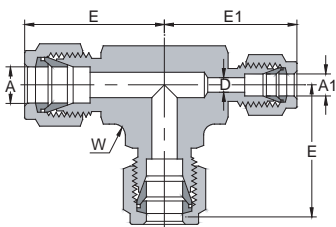


基本订货号 Order information	A		D		W		E	
	英寸 (in)	毫米 (mm)	英寸 (in)	毫米 (mm)	英寸 (in)	毫米 (mm)	英寸 (in)	毫米 (mm)
-SK3-1	1/16	1.58	0.05	1.27	3/8	9.52	0.70	17.80
-SK3-2	1/8	3.17	0.09	2.28	1/2	12.70	0.88	22.35
-SK3-3	3/16	4.76	0.12	3.04	1/2	12.70	0.96	24.40
-SK3-4	1/4	6.35	0.19	4.82	1/2	12.70	1.06	26.90
-SK3-5	5/16	7.93	0.25	6.35	5/8	15.87	1.17	29.71
-SK3-6	3/8	9.52	0.28	7.11	5/8	15.87	1.20	30.48
-SK3-8	1/2	12.70	0.41	10.41	13/16	20.63	1.42	36.10
-SK3-10	5/8	15.87	0.50	12.70	15/16	23.81	1.53	38.90
-SK3-12	3/4	19.05	0.62	15.74	11/8	28.60	1.57	39.90
-SK3-16	1	25.40	0.88	22.35	13/8	34.92	1.93	49.00
-SK3-20	1 1/4	31.75	1.09	27.70	1 11/16	42.90	2.62	66.50
-SK3-24	1 1/2	38.10	1.34	34.00	2	50.80	3.07	78.00

● -SK3R型异径三通接头 Reducing Union Tee (in)

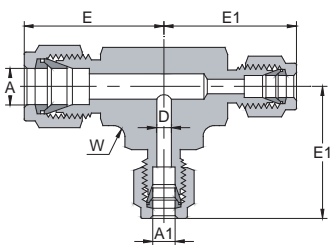


基本订货号 Order information	A		A1		E		E1		D		W	
	英寸 (in)	毫米 (mm)	英寸 (in)	毫米 (mm)	英寸 (in)	毫米 (mm)	英寸 (in)	毫米 (mm)	英寸 (in)	毫米 (mm)	英寸 (in)	毫米 (mm)
-SK3R-6-6-4	3/8	9.52	1/4	6.35	1.20	30.5	1.14	29.0	0.19	4.8	5/8	15.9
-SK3R-8-8-4	1/2	12.70	1/4	6.35	1.42	36.1	1.25	31.8	0.19	4.8	13/16	20.6
-SK3R-8-8-6	1/2	12.70	3/8	9.52	1.42	36.1	1.31	33.3	0.28	7.1	13/16	20.6
-SK3R-10-10-6	5/8	15.87	3/8	9.52	1.53	38.9	1.42	36.1	0.28	7.1	15/16	23.8
-SK3R-12-12-6	3/4	19.05	3/8	9.52	1.57	39.9	1.46	37.1	0.28	7.1	11/8	28.6
-SK3R-12-12-8	3/4	19.05	1/2	12.70	1.57	39.9	1.57	39.9	0.41	10.4	11/8	28.6
-SK3R-16-16-6	1	25.40	3/8	9.52	1.93	49.0	1.65	41.9	0.28	7.1	13/8	34.9
-SK3R-16-16-8	1	25.40	1/2	12.70	1.93	49.0	1.76	44.7	0.41	10.4	13/8	34.9
-SK3R-16-16-12	1	25.40	3/4	19.05	1.93	49.0	1.76	44.7	0.62	15.8	13/8	34.9



● -SK3R型异径三通接头 Reducing Union Tee (in)

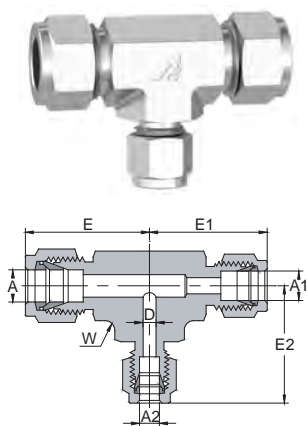
基本订货号 Order information	A		A1		E		E1		D		W	
	英寸 (in)	毫米 (mm)	英寸 (in)	毫米 (mm)	英寸 (in)	毫米 (mm)	英寸 (in)	毫米 (mm)	英寸 (in)	毫米 (mm)	英寸 (in)	毫米 (mm)
-SK3R-6-4-6	3/8	9.25	1/4	6.35	1.20	30.5	1.14	29.0	0.19	4.8	5/8	15.9



● -SK3R型异径三通接头 Reducing Union Tee (in)

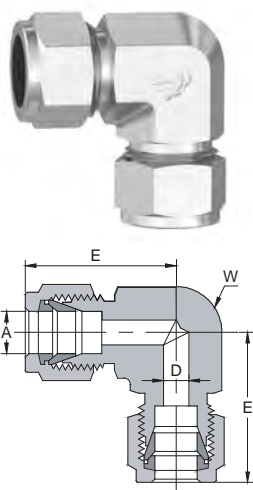
基本订货号 Order information	A		A1		E		E1		D		W	
	英寸 (in)	毫米 (mm)	英寸 (in)	毫米 (mm)	英寸 (in)	毫米 (mm)	英寸 (in)	毫米 (mm)	英寸 (in)	毫米 (mm)	英寸 (in)	毫米 (mm)
-SK3R-8-6-6	1/2	12.70	3/8	9.52	1.42	36.1	1.31	33.3	0.28	7.1	13/16	20.6
-SK3R-10-6-6	5/8	15.87	3/8	9.52	1.53	38.9	1.42	36.1	0.28	7.1	15/16	23.8
-SK3R-12-6-6	3/4	19.05	3/8	9.52	1.57	39.9	1.46	37.1	0.28	7.1	11/8	28.6

尺寸仅供参考，并随时可能改变。The size is only for reference and can be changed accordingly.



● -SK3R型异径三通接头 Reducing Union Tee (in)

基本订货号 Order information	A		A1		A2		E		E1		E2		D		W	
	英寸 (in)	毫米 (mm)	英寸 (in)	毫米 (mm)	英寸 (in)	毫米 (mm)	英寸 (in)	毫米 (mm)	英寸 (in)	毫米 (mm)	英寸 (in)	毫米 (mm)	英寸 (in)	毫米 (mm)	英寸 (in)	毫米 (mm)
-SK3R-10-8-6	5/8	15.87	1/2	12.70	3/8	9.52	1.53	38.9	1.53	38.9	1.42	36.1	0.28	7.1	15/16	23.8
-SK3R-12-8-6	3/4	19.05	1/2	12.70	3/8	9.52	1.57	39.9	1.57	39.9	1.46	37.1	0.28	7.1	11/8	28.6
-SK3R-16-12-6	1	25.40	3/4	19.05	3/8	9.52	1.93	49.0	1.76	44.7	1.65	41.9	0.28	7.1	13/8	34.9



● -SK9型弯通中间接头 Union Elbow (mm)

基本订货号 Order information	A	D	W		L
	毫米 (mm)	毫米 (mm)	英寸 (in)	毫米 (mm)	毫米 (mm)
-SK9-3mm	3	2.4	3/8	9.5	22.3
-SK9-4mm	4	2.4	1/2	12.7	25.4
-SK9-6mm	6	4.8	1/2	12.7	27.0
-SK9-8mm	8	6.4	5/8	16.0	29.9
-SK9-10mm	10	7.9	11/16	17.5	31.5
-SK9-12mm	12	9.5	13/16	20.6	36.0
-SK9-14mm	14	11.1	15/16	23.8	38.8
-SK9-15mm	15	11.9	15/16	23.8	38.8
-SK9-16mm	16	12.7	15/16	23.8	38.8
-SK9-18mm	18	15.1	11/8	28.6	39.8
-SK9-20mm	20	15.9	13/8	34.9	44.6
-SK9-22mm	22	18.3	13/8	34.9	44.6
-SK9-25mm	25	21.8	13/8	34.9	49.1

● -SK9型弯通中间接头 Union Elbow (in)

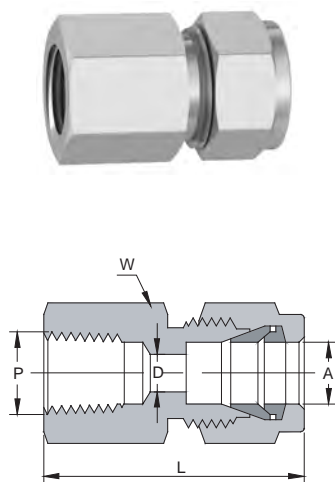
基本订货号 Order information	A		D		W		L	
	英寸 (in)	毫米 (mm)	英寸 (in)	毫米 (mm)	英寸 (in)	毫米 (mm)	英寸 (in)	毫米 (mm)
-SK9-2	1/8	3.17	0.09	2.28	3/8	9.52	0.88	22.35
-SK9-3	3/16	4.76	0.12	3.04	1/2	12.70	1.01	25.65
-SK9-4	1/4	6.35	0.19	4.82	1/2	12.70	1.06	26.92
-SK9-5	5/16	7.93	0.25	6.35	5/8	15.87	1.13	28.70
-SK9-6	3/8	9.52	0.28	7.11	5/8	15.87	1.20	30.48
-SK9-8	1/2	12.70	0.41	10.41	13/16	20.63	1.42	36.06
-SK9-10	5/8	15.87	0.50	12.70	15/16	23.81	1.50	38.10
-SK9-12	3/4	19.05	0.62	15.74	11/8	28.60	1.57	39.89
-SK9-14	7/8	22.22	0.72	18.28	13/16	30.20	1.76	44.70
-SK9-16	1	25.40	0.88	22.35	13/8	34.92	1.93	49.00
-SK9-20	11/4	31.75	1.09	27.70	111/16	42.90	2.62	66.50
-SK9-24	11/2	38.10	1.34	34.00	2	50.80	3.07	78.00

尺寸仅供参考，并随时可能改变。The size is only for reference and can be changed accordingly.

XYG-SK(LOK)系列双卡套管接头

XYG – SK(LOK) Tube Fittings With Double Furrules

● -SK7 (NPT)型内螺纹直通 Female Connector (mm)



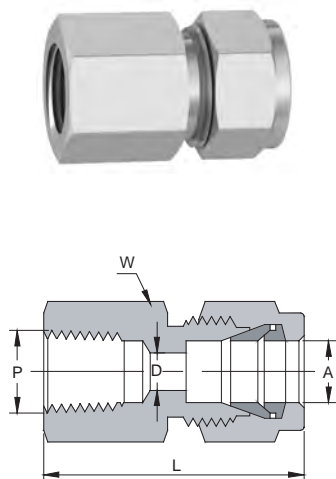
基本订货号 Order information	A 毫米 (mm)	P (NPT)	D 毫米 (mm)	W 毫米 (mm)	L 毫米 (mm)
-SK7-3mm-2	3	1/8	2.4	14	28.7
-SK7-3mm-4	3	1/4	2.4	19	33.5
-SK7-4mm-2	4	1/8	2.4	14	29.7
-SK7-6mm-2	6	1/8	4.8	14	31.3
-SK7-6mm-4	6	1/4	4.8	19	35.8
-SK7-6mm-6	6	3/8	4.8	22	37.6
-SK7-6mm-8	6	1/2	4.8	27	42.5
-SK7-8mm-2	8	1/8	6.4	15	32.1
-SK7-8mm-4	8	1/4	6.4	19	37.0
-SK7-8mm-6	8	3/8	6.4	22	38.5
-SK7-8mm-8	8	1/2	6.4	27	43.3
-SK7-10mm-4	10	1/4	7.9	19	37.8
-SK7-10mm-6	10	3/8	7.9	22	39.4
-SK7-10mm-8	10	1/2	7.9	27	44.2
-SK7-12mm-4	12	1/4	9.5	22	40.3
-SK7-12mm-6	12	3/8	9.5	22	41.9
-SK7-12mm-8	12	1/2	9.5	27	46.7
-SK7-15mm-8	15	1/2	11.9	27	46.7
-SK7-16mm-8	16	1/2	12.7	27	46.9
-SK7-20mm-8	20	1/2	15.9	30	47.9
-SK7-20mm-12	20	3/4	15.9	35	49.7
-SK7-22mm-12	22	3/4	18.3	35	49.7
-SK7-22mm-16	22	1	18.3	41	57.9
-SK7-25mm-12	25	3/4	21.8	35	53.4
-SK7-25mm-16	25	1	21.8	41	62.3

● -SK7 (NPT)型内螺纹直通 Female Connector (in)

基本订货号 Order information	A		P (NPT)	D		W		L	
	英寸 (in)	毫米 (mm)		英寸 (in)	毫米 (mm)	英寸 (in)	毫米 (mm)	英寸 (in)	毫米 (mm)
-SK7-2-2	1/8	3.17	1/8	0.09	2.28	9/16	14.28	1.14	28.95
-SK7-2-4	1/8	3.17	1/4	0.09	2.28	3/4	19.05	1.32	33.52
-SK7-3-2	3/16	4.76	1/8	0.12	3.04	9/16	14.28	1.17	29.71
-SK7-4-2	1/4	6.35	1/8	0.19	4.82	9/16	14.28	1.23	31.24
-SK7-4-4	1/4	6.35	1/4	0.19	4.82	3/4	19.05	1.41	35.81
-SK7-4-6	1/4	6.35	3/8	0.19	4.82	7/8	22.22	1.48	37.59
-SK7-4-8	1/4	6.35	1/2	0.19	4.82	11/16	26.98	1.67	42.42
-SK7-5-2	5/16	7.93	1/8	0.25	6.35	9/16	14.28	1.26	32.00
-SK7-5-4	5/16	7.93	1/4	0.25	6.35	3/4	19.05	1.45	36.93
-SK7-6-2	3/8	9.52	1/8	0.28	7.11	5/8	15.87	1.29	32.76
-SK7-6-4	3/8	9.52	1/4	0.28	7.11	3/4	19.05	1.48	37.59
-SK7-6-6	3/8	9.52	3/8	0.28	7.11	7/8	22.22	1.54	39.11
-SK7-6-8	3/8	9.52	1/2	0.28	7.11	11/16	26.98	1.73	43.94
-SK7-8-4	1/2	12.70	1/4	0.41	10.41	7/8	20.63	1.59	40.38
-SK7-8-6	1/2	12.70	3/8	0.41	10.41	7/8	22.22	1.65	41.91
-SK7-8-8	1/2	12.70	1/2	0.41	10.41	11/16	26.98	1.84	46.73
-SK7-8-12	1/2	12.70	3/4	0.41	10.41	15/16	33.33	1.90	48.26
-SK7-10-6	5/8	15.87	3/8	0.50	12.70	15/16	33.33	1.65	41.91
-SK7-10-8	5/8	15.87	1/2	0.50	12.70	11/16	26.98	1.84	46.73
-SK7-12-8	3/4	19.05	1/2	0.62	15.74	11/16	26.98	1.84	46.73
-SK7-12-12	3/4	19.05	3/4	0.62	15.74	15/16	33.33	1.90	48.26
-SK7-14-12	7/8	22.22	3/4	0.72	18.28	15/16	33.33	1.96	49.78
-SK7-16-12	1	25.40	3/4	0.88	22.35	13/8	34.92	2.10	53.34
-SK7-16-16	1	25.40	1	0.88	22.35	15/8	41.27	2.45	62.23

尺寸仅供参考，并随时可能改变。The size is only for reference and can be changed accordingly.

◎ -SK7 (R)型内螺纹直通 Female Connector (mm)



基本订货号 Order information	A 毫米 (mm)	P BSPT	D 毫米 (mm)	W 毫米 (mm)	L 毫米 (mm)
-SK7-3mm-R2	3	R-1/8	2.4	14	28.7
-SK7-6mm-R2	6	R-1/8	4.8	14	31.3
-SK7-6mm-R4	6	R-1/4	4.8	19	35.8
-SK7-6mm-R6	6	R-3/8	4.8	22	37.6
-SK7-6mm-R8	6	R-1/2	4.8	27	42.5
-SK7-8mm-R2	8	R-1/8	6.4	15	32.1
-SK7-8mm-R4	8	R-1/4	6.4	19	37.0
-SK7-8mm-R6	8	R-3/8	6.4	22	38.5
-SK7-8mm-R8	8	R-1/2	6.4	27	43.3
-SK7-10mm-R2	10	R-1/8	7.9	18	33.3
-SK7-10mm-R4	10	R-1/4	7.9	19	37.8
-SK7-10mm-R6	10	R-3/8	7.9	22	39.4
-SK7-10mm-R8	10	R-1/2	7.9	27	44.2
-SK7-12mm-R2	12	R-1/8	8.3	22	35.5
-SK7-12mm-R4	12	R-1/4	9.5	22	40.3
-SK7-12mm-R6	12	R-3/8	9.5	22	41.9
-SK7-12mm-R8	12	R-1/2	9.5	27	46.7
-SK7-12mm-R12	12	R-3/4	9.5	35	49.0
-SK7-15mm-R6	15	R-3/8	11.9	24	41.9
-SK7-15mm-R8	15	R-1/2	11.9	27	46.4
-SK7-20mm-R8	20	R-1/2	15.9	30	47.9
-SK7-20mm-R12	20	R-3/4	15.9	35	49.7
-SK7-22mm-R12	22	R-3/4	18.3	35	49.7
-SK7-22mm-R16	22	R-1	18.3	41	57.9
-SK7-25mm-R12	25	R-3/4	21.8	35	53.4
-SK7-25mm-R16	25	R-1	21.8	41	62.3

◎ -SK7(G)型内螺纹直通 Female Connector (mm)

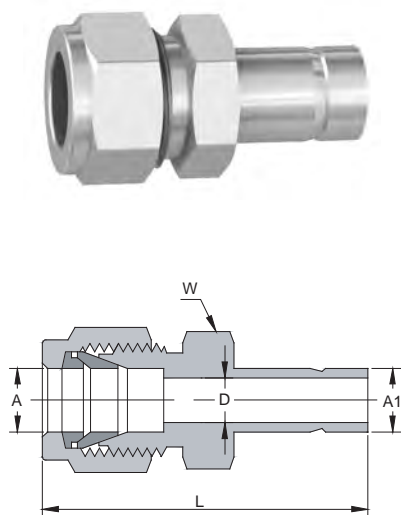
基本订货号 Order information	A 毫米 (mm)	P BSPP	D 毫米 (mm)	W 毫米 (mm)	L 毫米 (mm)
-SK7-3mm-G4	3	G-1/4	2.4	19	35.3
-SK7-6mm-G4	6	G-1/4	4.8	19	37.6
-SK7-6mm-G6	6	G-3/8	4.8	24	37.6
-SK7-6mm-G8	6	G-1/2	4.8	27	43.5
-SK7-8mm-G4	8	G-1/4	5.5	19	38.5
-SK7-8mm-G6	8	G-3/8	6.5	24	36.2
-SK7-8mm-G8	8	G-1/2	7.0	27	41.0
-SK7-10mm-G4	10	G-1/4	5.5	19	39.4
-SK7-10mm-G6	10	G-3/8	6.5	24	38.8
-SK7-10mm-G8	10	G-1/2	7.0	27	42.1
-SK7-12mm-G4	12	G-1/4	5.5	22	41.9
-SK7-12mm-G6	12	G-3/8	6.5	24	44.4
-SK7-12mm-G8	12	G-1/2	7.0	27	48.2
-SK7-20mm-G8	20	G-1/2	7.0	30	54.3
-SK7-22mm-G8	22	G-1/2	7.0	30	54.3

尺寸仅参考，并随时可能改变。The size is only for reference and can be changed accordingly.

XYG-SK(LOK)系列双卡套管接头

XYG – SK(LOK) Tube Fittings With Double Furrules

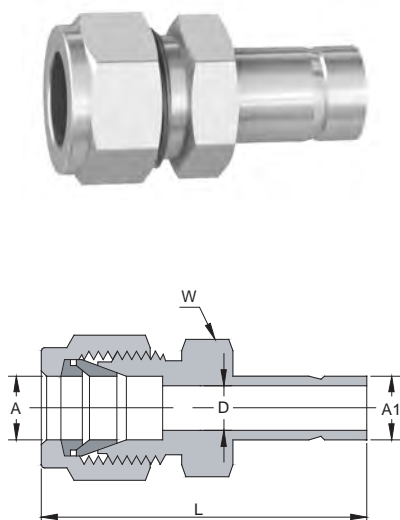
● -SKR型变径接头 Reducer (mm)



基本订货号 Order information	A 毫米 (mm)	A1 毫米 (mm)	D 毫米 (mm)	W 毫米 (mm)	L 毫米 (mm)
-SKR-2mm-3mm	2	3	1.7	12	33.5
-SKR-3mm-4mm	3	4	2.4	12	35.0
-SKR-3mm-6mm	3	6	2.4	12	36.1
-SKR-3mm-10mm	3	10	2.4	14	38.4
-SKR-4mm-6mm	4	6	2.4	12	37.1
-SKR-6mm-3mm	6	3	1.8	14	36.9
-SKR-6mm-8mm	6	8	4.8	14	39.9
-SKR-6mm-10mm	6	10	4.8	14	40.7
-SKR-6mm-12mm	6	12	4.8	14	46.3
-SKR-6mm-18mm	6	18	4.8	22	49.6
-SKR-8mm-6mm	8	6	4.6	15	40.3
-SKR-8mm-10mm	8	10	6.4	15	42.0
-SKR-8mm-12mm	8	12	6.4	15	47.6
-SKR-10mm-6mm	10	6	4.6	18	42.4
-SKR-10mm-8mm	10	8	6.4	18	43.4
-SKR-10mm-12mm	10	12	7.9	18	49.8
-SKR-10mm-15mm	10	15	7.9	18	51.3
-SKR-10mm-18mm	10	18	7.9	22	51.3
-SKR-12mm-6mm	12	6	4.6	22	44.9
-SKR-12mm-10mm	12	10	7.7	22	46.7
-SKR-12mm-16mm	12	16	9.5	22	53.8
-SKR-12mm-18mm	12	18	9.5	22	53.8
-SKR-12mm-20mm	12	20	9.5	22	56.1
-SKR-12mm-22mm	12	22	9.5	24	56.1
-SKR-12mm-25mm	12	25	9.5	27	62.4
-SKR-16mm-12mm	16	12	9.1	24	53.0
-SKR-18mm-12mm	18	12	9.1	27	54.6
-SKR-18mm-16mm	18	16	12.7	27	56.1
-SKR-18mm-20mm	18	20	15.1	27	57.6
-SKR-18mm-22mm	18	22	15.1	27	57.6
-SKR-18mm-25mm	18	25	15.1	27	62.4
-SKR-20mm-16mm	20	16	12.7	30	57.9
-SKR-20mm-18mm	20	18	13.9	30	57.9
-SKR-20mm-22mm	20	22	15.8	30	59.4
-SKR-20mm-25mm	20	25	15.8	30	61.2
-SKR-22mm-18mm	22	18	13.9	30	57.9
-SKR-22mm-20mm	22	20	15.1	30	59.4
-SKR-22mm-25mm	22	25	18.3	30	64.2
-SKR-25mm-18mm	25	18	13.9	35	63.1
-SKR-25mm-20mm	25	20	15.1	35	64.6

尺寸仅参考，并随时可能改变。The size is only for reference and can be changed accordingly.

◎ -SKR型变径接头 Reducer (in)



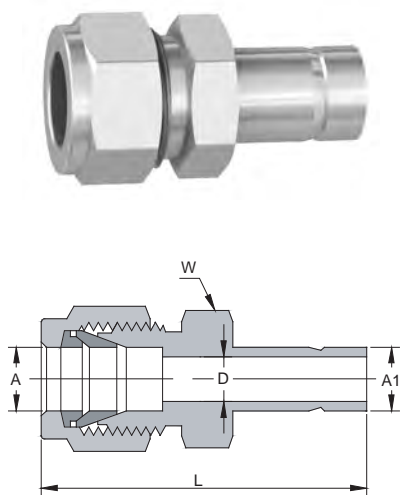
基本订货号 Order information	A		A1		D		W		L	
	英寸 (in)	毫米 (mm)	英寸 (in)	毫米 (mm)	英寸 (in)	毫米 (mm)	英寸 (in)	毫米 (mm)	英寸 (in)	毫米 (mm)
-SKR-1-2	1/16	1.58	1/8	3.17	0.05	1.27	5/16	7.93	1.15	29.21
-SKR-1-4	1/16	1.58	1/4	6.35	0.05	1.27	5/16	7.93	1.24	31.50
-SKR-2-1	1/8	3.17	1/16	1.58	0.03	0.76	7/16	11.11	1.14	28.96
-SKR-2-3	1/8	3.17	3/16	4.76	0.09	2.28	7/16	11.11	1.35	34.29
-SKR-2-4	1/8	3.17	1/4	6.35	0.09	2.28	7/16	11.11	1.42	36.06
-SKR-2-6	1/8	3.17	3/8	9.52	0.09	2.28	7/16	11.11	1.48	37.59
-SKR-2-8	1/8	3.17	1/2	12.70	0.09	2.28	9/16	14.28	1.74	44.20
-SKR-3-2	3/16	4.76	1/8	3.17	0.08	2.03	7/16	11.11	1.37	34.80
-SKR-3-4	3/16	4.76	1/4	6.35	0.12	3.04	7/16	11.11	1.46	37.08
-SKR-4-2	1/4	6.35	1/8	3.17	0.08	2.03	1/2	12.70	1.45	36.83
-SKR-4-3	1/4	6.35	3/16	4.76	0.12	3.04	1/2	12.70	1.48	37.59
-SKR-4-4	1/4	6.35	1/4	6.35	0.19	4.82	1/2	12.70	1.54	39.11
-SKR-4-5	1/4	6.35	5/16	7.93	0.19	4.82	1/2	12.70	1.57	39.87
-SKR-4-6	1/4	6.35	3/8	9.52	0.19	4.82	1/2	12.70	1.60	40.64
-SKR-4-8	1/4	6.35	1/2	12.70	0.19	4.82	9/16	14.28	1.82	46.22
-SKR-4-10	1/4	6.35	5/8	15.87	0.19	4.82	11/16	17.46	1.89	48.00
-SKR-4-12	1/4	6.35	3/4	19.05	0.19	4.82	13/16	20.63	1.88	47.75
-SKR-5-6	5/16	7.93	3/8	9.52	0.25	6.35	9/16	14.28	1.65	41.91
-SKR-5-8	5/16	7.93	1/2	12.70	0.25	6.35	9/16	14.28	1.87	47.49
-SKR-6-4	3/8	9.52	1/4	6.35	0.19	4.82	5/8	15.87	1.63	41.40
-SKR-6-6	3/8	9.52	3/8	9.52	0.28	7.11	5/8	15.87	1.70	43.18
-SKR-6-8	3/8	9.52	1/2	12.70	0.28	7.11	5/8	15.87	1.91	48.51
-SKR-6-10	3/8	9.52	5/8	15.87	0.28	7.11	11/16	17.46	1.98	50.29
-SKR-6-12	3/8	9.52	3/4	19.05	0.28	7.11	13/16	20.63	1.98	50.29
-SKR-8-4	1/2	12.70	1/4	6.35	0.19	4.82	13/16	20.63	1.77	44.96
-SKR-8-6	1/2	12.70	3/8	9.52	0.28	7.11	13/16	20.63	1.84	46.74
-SKR-8-8	1/2	12.70	1/2	12.70	0.39	9.91	13/16	20.63	2.06	52.32
-SKR-8-10	1/2	12.70	5/8	15.87	0.41	10.41	13/16	20.63	2.12	53.84
-SKR-8-12	1/2	12.70	3/4	19.05	0.41	10.41	13/16	20.63	2.12	53.84
-SKR-8-16	1/2	12.70	1	25.40	0.41	10.41	1 1/16	26.98	2.37	60.19
-SKR-10-12	5/8	15.87	3/4	19.05	0.50	12.70	15/16	23.81	2.15	54.61
-SKR-10-14	5/8	15.87	7/8	22.22	0.50	12.70	15/16	23.81	2.21	56.13
-SKR-10-16	5/8	15.87	1	25.40	0.50	12.70	1 1/16	26.98	2.40	60.96
-SKR-12-8	3/4	19.05	1/2	12.70	0.39	9.91	1 1/16	26.98	2.15	54.61
-SKR-12-16	3/4	19.05	1	25.40	0.62	15.75	1 1/16	26.98	2.46	62.48
-SKR-16-20	1	25.40	11/4	31.75	0.88	22.35	1 3/8	34.93	3.17	80.52
-SKR-16-24	1	25.40	11/2	38.10	0.88	22.35	1 5/8	41.28	3.51	89.15
-SKR-20-24	1 1/4	31.75	11/2	38.10	1.09	27.70	1 3/4	44.90	4.10	104.10

尺寸仅供参考，并随时可能改变。The size is only for reference and can be changed accordingly.

XYG-SK(LOK)系列双卡套管接头

XYG – SK(LOK) Tube Fittings With Double Furrules

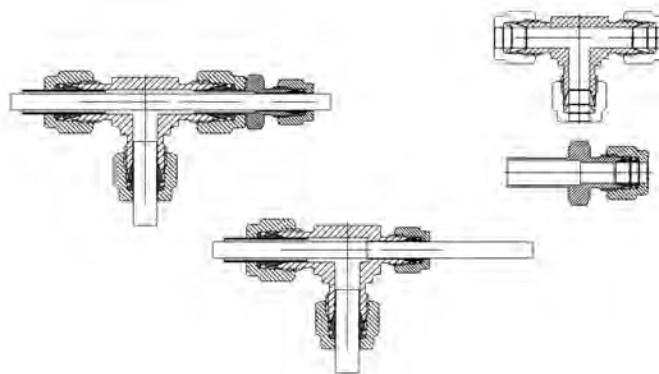
● -SKR型变径接头 Reducer (mm/in)



基本订货号 Order information	A 毫米 (mm)	A1 毫米 (mm)	D 毫米 (mm)	W 毫米 (mm)	L 毫米 (mm)
-SKR-2mm-2	2	1/8	1.7	12	18.2
-SKR-3mm-2	3	1/8	2.0	12	33.5
-SKR-3mm-4	3	1/4	2.4	12	36.1
-SKR-4mm-4	4	1/4	2.4	12	37.1
-SKR-6mm-2	6	1/8	4.8	14	36.9
-SKR-6mm-5	6	5/16	4.8	14	39.9
-SKR-6mm-6	6	3/8	4.8	14	40.7
-SKR-6mm-8	6	1/2	4.8	14	46.3
-SKR-8mm-6	8	3/8	6.4	15	42.0
-SKR-8mm-8	8	1/2	6.4	15	47.6
-SKR-10mm-6	10	3/8	7.1	18	44.2
-SKR-10mm-8	10	1/2	7.9	18	49.8
-SKR-12mm-8	12	1/2	9.5	22	52.3
-SKR-12mm-12	12	3/4	9.5	22	53.8
-SKR-18mm-12	18	3/4	15.1	27	56.1
-SKR-18mm-16	18	1	15.1	27	62.4
-SKR-25mm-16	25	1	20.2	35	69.4

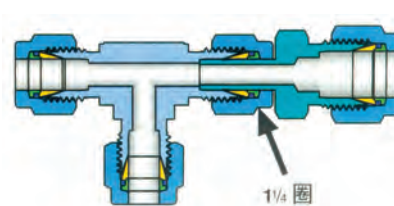
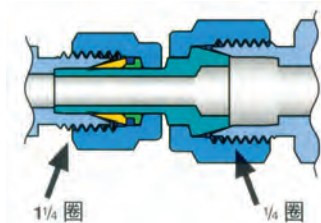
● -SK3RT型热交换器三通 Heat Exchange Tee

基本订货号 Order information	-SK3RT-6	-SK3RT-8-6-8
----------------------------	----------	--------------



-SKRPC型异径孔口接头 Reducing Port Connector

-SKR型变径接头 Reducer



组合件安装说明

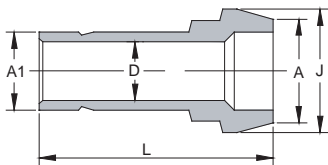
Installation Description of Assembly Parts

尺寸仅参考，并随时可能改变。The size is only for reference and can be changed accordingly.

● -SKRPC型异径孔口接头 Reducing Port Connector (mm)



基本订货号 Order information	A 毫米 (mm)	A1 毫米 (mm)	D 毫米 (mm)	L 毫米 (mm)	J 毫米 (mm)
-SKRPC-6mm-3mm	6	3	2.2	22.6	9.0
-SKRPC-8mm-6mm	8	6	4.6	24.7	11.0
-SKRPC-10mm-6mm	10	6	4.6	25.0	13.1
-SKRPC-10mm-8mm	10	8	6.4	25.8	13.1
-SKRPC-12mm-6mm	12	6	4.6	29.1	15.0
-SKRPC-12mm-8mm	12	8	6.4	29.8	15.0
-SKRPC-12mm-10mm	12	10	7.7	30.4	15.0
-SKRPC-16mm-12mm	16	12	7.7	36.2	19.0



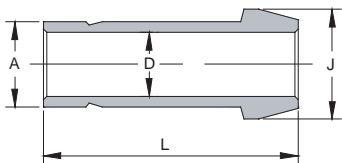
● -SKRPC型异径孔口接头 Reducing Port Connector (in)

基本订货号 Order information	A		A1		D		L		J	
	英寸 (in)	毫米 (mm)	英寸 (in)	毫米 (mm)	英寸 (in)	毫米 (mm)	英寸 (in)	毫米 (mm)	英寸 (in)	毫米 (mm)
-SKRPC-2-1	1/8	3.17	1/16	1.58	0.03	0.76	0.68	17.27	0.24	6.10
-SKRPC-4-1	1/4	6.35	1/16	1.58	0.03	0.76	0.71	18.03	0.37	9.40
-SKRPC-4-2	1/4	6.35	1/8	3.17	0.09	2.28	0.89	22.60	0.37	9.40
-SKRPC-6-2	3/8	9.52	1/8	3.17	0.09	2.8	0.91	23.11	0.50	12.70
-SKRPC-6-4	3/8	9.52	1/4	6.35	0.19	4.82	0.98	24.90	0.50	12.70
-SKRPC-8-4	1/2	12.70	1/4	6.35	0.19	4.82	1.15	29.21	0.62	15.75
-SKRPC-8-6	1/2	12.70	3/8	9.52	0.28	7.11	1.20	30.48	0.62	15.75
-SKRPC-12-8	3/4	19.05	1/2	12.70	0.39	9.90	1.44	36.58	0.87	22.10

● -SKPC型孔口接头 Port Connector (mm)



基本订货号 Order information	A 毫米 (mm)	D 毫米 (mm)	L 毫米 (mm)	J 毫米 (mm)
-SKPC-3mm	3	2.1	22.2	6.0
-SKPC-6mm	6	4.4	24.6	9.0
-SKPC-8mm	8	6.2	25.9	11.0
-SKPC-10mm	10	8.2	26.1	13.1
-SKPC-12mm	12	9.1	35.8	15.0
-SKPC-16mm	16	12.7	37.4	19.0
-SKPC-18mm	18	13.9	37.4	21.1



● -SKPC型孔口接头 Port Connector (in)

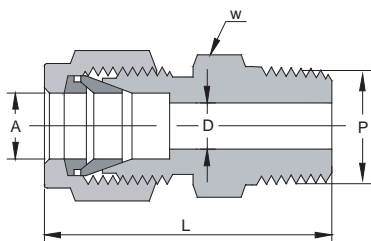
基本订货号 Order information	A		D		L		J	
	英寸 (in)	毫米 (mm)	英寸 (in)	毫米 (mm)	英寸 (in)	毫米 (mm)	英寸 (in)	毫米 (mm)
-SKPC-1	1/16	1.58	0.03	0.76	0.54	13.72	0.13	3.30
-SKPC-2	1/8	3.17	0.09	2.28	0.88	22.35	0.24	6.10
-SKPC-4	1/4	6.35	0.19	4.82	0.97	24.64	0.37	9.40
-SKPC-5	5/16	7.93	0.25	6.35	1.02	25.90	0.43	10.92
-SKPC-6	3/8	9.52	0.30	7.62	1.03	26.16	0.50	12.70
-SKPC-8	1/2	12.70	0.39	9.90	1.41	35.81	0.62	15.75
-SKPC-12	3/4	19.05	0.59	14.58	1.47	37.34	0.87	22.10
-SKPC-16	1	25.40	0.80	20.32	1.90	48.26	1.12	28.45

尺寸仅参考，并随时可能改变。The size is only for reference and can be changed accordingly.

XYG-SK(LOK)系列双卡套管接头

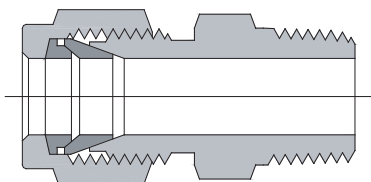
XYG – SK(LOK) Tube Fittings With Double Furrules

● -SK1 (NPT)型外螺纹直通接头 Male Connector (mm)



基本订货号 Order information	A 毫米 (mm)	P (NPT)	D 毫米 (mm)	W 毫米 (mm)	L 毫米 (mm)
-SK1-3mm-2	3	1/8	2.4	12	30.5
-SK1-3mm-4	3	1/4	2.4	14	35.6
-SK1-4mm-2	4	1/8	2.4	12	31.2
-SK1-4mm-4	4	1/4	2.4	14	36.3
-SK1-6mm-2	6	1/8	4.8	14	32.8
-SK1-6mm-4	6	1/4	4.8	14	37.9
-SK1-6mm-6	6	3/8	4.8	18	38.4
-SK1-6mm-8	6	1/2	4.8	22	44.7
-SK1-8mm-2	8	1/8	4.8	15	34.2
-SK1-8mm-4	8	1/4	6.4	15	38.7
-SK1-8mm-6	8	3/8	6.4	18	39.3
-SK1-8mm-8	8	1/2	6.4	22	45.6
-SK1-10mm-2	10	1/8	4.8	18	36.3
-SK1-10mm-4	10	1/4	7.9	18	40.9
-SK1-10mm-6	10	3/8	7.9	18	40.9
-SK1-10mm-8	10	1/2	7.9	22	46.5
-SK1-10mm-12	10	3/4	7.9	27	48.0
-SK1-12mm-2	12	1/8	4.8	22	38.8
-SK1-12mm-4	12	1/4	7.1	22	43.4
-SK1-12mm-6	12	3/8	9.5	22	43.4
-SK1-12mm-8	12	1/2	9.5	22	49.0
-SK1-12mm-12	12	3/4	9.5	27	50.5
-SK1-14mm-4	14	1/4	7.1	24	44.1
-SK1-14mm-6	14	3/8	9.5	24	44.1
-SK1-14mm-8	14	1/2	11.1	24	49.0
-SK1-15mm-8	15	1/2	11.9	24	49.0
-SK1-16mm-6	16	3/8	9.5	24	44.1
-SK1-16mm-8	16	1/2	11.9	24	49.0
-SK1-16mm-12	16	3/4	12.7	27	50.5
-SK1-18mm-8	18	1/2	11.9	27	50.5
-SK1-18mm-12	18	3/4	15.1	27	50.5
-SK1-20mm-8	20	1/2	11.9	30	52.3
-SK1-20mm-12	20	3/4	15.9	30	52.3
-SK1-22mm-12	22	3/4	15.9	30	52.3
-SK1-22mm-16	22	1	18.3	35	57.1
-SK1-25mm-8	25	1/2	11.9	35	57.5
-SK1-25mm-12	25	3/4	15.9	35	57.5
-SK1-25mm-16	25	1	21.8	35	62.3

● -SK1-TD型热电偶连接器 Thermocouple Connector



基本订货号在-SK1型外螺纹直通接头中任选择一个订货号在后缀添加TD即可
订货示例:

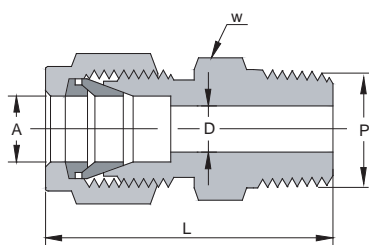
-SK1-12mm-8-TD
-SK1-8-6-TD

For -SK1 series male thread straight-way connector, the basic order information is to add TD as a suffix to an order number.

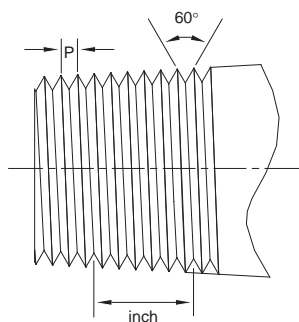
订货示例 An example of Order number :
-SK1-12mm-8-TD
-SK1-8-6-TD

尺寸仅供参考，并随时可能改变。The size is only for reference and can be changed accordingly.

◎ -SK1 (NPT)型外螺纹直通接头 Male Connector (in)



基本订货号 Order information	A		P (NPT)	D		W		L	
	英寸 (in)	毫米 (mm)		英寸 (in)	毫米 (mm)	英寸 (in)	毫米 (mm)	英寸 (in)	毫米 (mm)
-SK1-1-1	1/16	1.58	1/16	0.05	1.27	5/16	7.93	0.93	23.62
-SK1-1-2	1/16	1.58	1/8	0.05	1.27	7/16	11.11	1.03	26.10
-SK1-2-1	1/8	3.17	1/16	0.09	2.28	7/16	11.11	1.17	29.71
-SK1-2-2	1/8	3.17	1/8	0.09	2.28	7/16	11.11	1.17	29.71
-SK1-2-4	1/8	3.17	1/4	0.09	2.28	9/16	14.28	1.40	35.56
-SK1-3-2	3/16	4.76	1/8	0.12	3.04	7/16	11.11	1.23	31.24
-SK1-3-4	3/16	4.76	1/4	0.12	3.04	9/16	14.28	1.43	26.32
-SK1-4-1	1/4	6.35	1/16	0.12	3.04	1/2	12.70	1.29	32.76
-SK1-4-2	1/4	6.35	1/8	0.19	4.82	1/2	12.70	1.29	32.76
-SK1-4-4	1/4	6.35	1/4	0.19	4.82	9/16	14.28	1.49	37.85
-SK1-4-6	1/4	6.35	3/8	0.19	4.82	11/16	17.46	1.51	38.35
-SK1-4-8	1/4	6.35	1/2	0.19	4.82	7/8	22.22	1.76	44.70
-SK1-5-2	5/16	7.93	1/8	0.19	4.82	9/16	14.28	1.34	34.03
-SK1-5-4	5/16	7.93	1/4	0.25	6.65	9/16	14.28	1.52	38.60
-SK1-6-2	3/8	9.52	1/8	0.19	4.82	5/8	15.87	1.38	35.05
-SK1-6-4	3/8	9.52	1/4	0.28	7.11	5/8	15.87	1.57	39.87
-SK1-6-6	3/8	9.52	3/8	0.28	7.11	11/16	17.46	1.57	39.87
-SK1-6-8	3/8	9.52	1/2	0.28	7.11	7/8	22.22	1.82	46.23
-SK1-6-12	3/8	9.52	3/4	0.28	7.11	11/16	26.98	1.88	47.75
-SK1-8-2	1/2	12.70	1/8	0.19	4.82	13/16	20.63	1.53	38.86
-SK1-8-4	1/2	12.70	1/4	0.28	7.11	13/16	20.63	1.71	43.43
-SK1-8-6	1/2	12.70	3/8	0.38	9.65	13/16	20.63	1.71	43.43
-SK1-8-8	1/2	12.70	1/2	0.41	10.41	7/8	22.22	1.93	49.02
-SK1-8-12	1/2	12.70	3/4	0.41	10.41	11/16	26.98	1.99	50.54
-SK1-8-16	1/2	12.70	1	0.41	10.41	13/8	34.92	2.25	57.15
-SK1-10-6	5/8	15.87	3/8	0.38	9.65	15/16	23.81	1.74	44.19
-SK1-10-8	5/8	15.87	1/2	0.47	11.90	15/16	23.81	1.93	49.02
-SK1-10-12	5/8	15.87	3/4	0.50	12.70	11/16	26.98	1.99	50.54
-SK1-12-8	3/4	19.05	1/2	0.50	12.70	11/16	26.98	1.99	50.54
-SK1-12-12	3/4	19.05	3/4	0.62	15.74	11/16	26.98	1.99	50.54
-SK1-12-16	3/4	19.05	1	0.62	15.74	13/8	34.92	2.25	57.15
-SK1-14-12	7/8	22.22	3/4	0.72	18.28	13/16	30.16	1.99	50.54
-SK1-16-12	1	25.40	3/4	0.72	18.28	13/8	34.92	2.26	57.40
-SK1-16-16	1	25.40	1	0.88	22.35	13/8	34.92	2.45	62.23



参考规格 (标准) :

Specifications (Standard) for Reference

60° 螺纹断面角

60° thread profile angle

螺距的尺寸单位为英寸

The unit for thread pitch is inch.

根部和顶部采用平直截断的方法。

The root and top are flat cut off.

圆锥角为1° 47' 美国标准锥管螺纹 (NPT)。

The taper angle is 1° 47', which is of American standard taper pipe thread (NPT)

NPT标准 (美国国家锥管螺纹标准) 是根据美国国家标准学会标准之B1.20.1部分 (ANSI B1.20.1) 制定的。

NPT standard (American standard taper pipe thread) is drawn up according to Part B1.20.1 of ANSI.

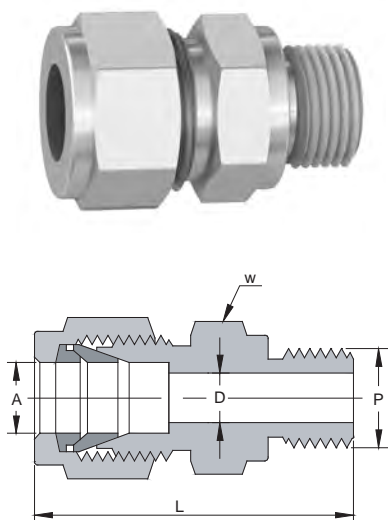
尺寸仅供参考, 并随时可能改变。The size is only for reference and can be changed accordingly.

XYG-SK(LOK)系列双卡套管接头



XYG – SK(LOK) Tube Fittings With Double Furrules

● -SK1(G)型外螺纹直通接头 Male Connector (mm)

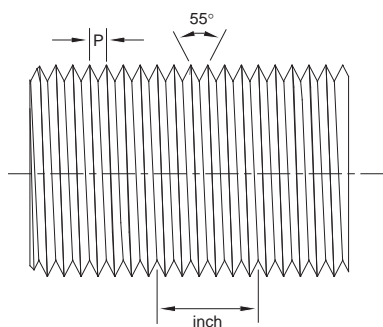


基本订货号 Order information	A 毫米 (mm)	P (BSPP)	D 毫米 (mm)	W 毫米 (mm)	L 毫米 (mm)
-SK1-2mm-G2	2	G-1/8	1.7	14	30.0
-SK1-3mm-G2	3	G-1/8	2.4	14	30.0
-SK1-3mm-G4	3	G-1/4	2.4	19	35.3
-SK1-4mm-G2	4	G-1/8	2.4	14	30.7
-SK1-6mm-G2	6	G-1/8	4.0	14	24.9
-SK1-6mm-G4	6	G-1/4	4.8	19	37.6
-SK1-6mm-G6	6	G-3/8	4.8	22	38.9
-SK1-6mm-G8	6	G-1/2	4.8	27	44.7
-SK1-8mm-G2	8	G-1/8	4.0	15	33.2
-SK1-8mm-G4	8	G-1/4	6.4	19	38.5
-SK1-8mm-G6	8	G-3/8	6.4	22	39.8
-SK1-8mm-G8	8	G-1/2	6.4	27	45.6
-SK1-10mm-G4	10	G-1/4	5.9	19	39.4
-SK1-10mm-G6	10	G-3/8	7.9	22	40.6
-SK1-10mm-G8	10	G-1/2	7.9	27	46.5
-SK1-12mm-G4	12	G-1/4	5.9	22	42.6
-SK1-12mm-G6	12	G-3/8	7.9	22	43.1
-SK1-12mm-G8	12	G-1/2	9.5	27	49.0
-SK1-12mm-G12	12	G-3/4	9.5	35	52.8
-SK1-16mm-G6	16	G-3/8	7.9	24	43.9
-SK1-16mm-G8	16	G-1/2	11.9	27	49.0
-SK1-18mm-G8	18	G-1/2	11.9	27	49.0
-SK1-18mm-G12	18	G-3/4	15.1	35	52.8
-SK1-20mm-G8	20	G-1/2	11.9	30	50.5
-SK1-20mm-G12	20	G-3/4	15.9	35	52.8
-SK1-22mm-G12	22	G-3/4	15.9	35	52.8
-SK1-22mm-G16	22	G-1	18.3	41	55.3
-SK1-25mm-G12	25	G-3/4	15.9	35	57.5
-SK1-25mm-G16	25	G-1	19.8	41	60.1

参考规范:

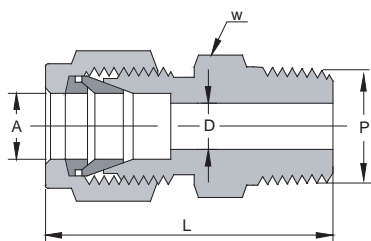
Reference Specifications & Codes

德国工业标准-国际标准化组织标准第228/1部分 (DIN-ISO228/1)	Deutsche industry norm (DIN)-International Organization for Standardization; Part 228/1 (DIN-ISO228/1)
英国国家标准学会标准第2779部分 (BS-2779)	British Standards Institution Part 2779 (BS-2779)
日本工业标准第B0202部分 (JIS-B0202)	Japanese Engineering Standards Part B0202 (JIS-B0202)
国际标准化组织标准第228/1-BSP-P部分 (ISO-228/1-BSP-P)	International Organization for Standardization Part 228/1-BSP-P (ISO-228/1-BSP-P)
<input type="checkbox"/> 55° 螺纹断面角	55° thread profile angle
<input type="checkbox"/> 螺距的尺寸单位为英	The unit for thread pitch is inch.
<input type="checkbox"/> 根部和顶部采用圆角截断的方法	The root and top are flat cut off.
<input type="checkbox"/> 直径的尺寸单位为英	The unit for the diameter is inch.



尺寸仅参考，并随时可能改变。The size is only for reference and can be changed accordingly.

◎ -SK1(R)型外螺纹直通接头 Male Connector (mm)



基本订货号 Order information	A 毫米 (mm)	P (BSPT)	D 毫米 (mm)	W 毫米 (mm)	L 毫米 (mm)
-SK1-2mm-R2	2	R-1/8	1.7	12	30.5
-SK1-3mm-R2	3	R-1/8	2.4	12	30.5
-SK1-3mm-R4	3	R-1/4	2.4	14	35.6
-SK1-4mm-R2	4	R-1/8	2.4	12	31.2
-SK1-4mm-R4	4	R-1/4	2.4	14	36.3
-SK1-6mm-R2	6	R-1/8	4.8	14	32.8
-SK1-6mm-R4	6	R-1/4	4.8	14	37.9
-SK1-6mm-R6	6	R-3/8	4.8	18	38.4
-SK1-6mm-R8	6	R-1/2	4.8	22	44.7
-SK1-8mm-R2	8	R-1/8	4.8	15	34.2
-SK1-8mm-R4	8	R-1/4	6.4	15	38.7
-SK1-8mm-R6	8	R-3/8	6.4	18	39.2
-SK1-8mm-R8	8	R-1/2	6.4	22	45.5
-SK1-10mm-R2	10	R-1/8	4.8	18	36.3
-SK1-10mm-R4	10	R-1/4	7.9	18	40.9
-SK1-10mm-R6	10	R-3/8	7.9	18	40.9
-SK1-10mm-R8	10	R-1/2	7.9	22	46.5
-SK1-12mm-R4	12	R-1/4	7.1	22	43.4
-SK1-12mm-R6	12	R-3/8	9.5	22	43.4
-SK1-12mm-R8	12	R-1/2	9.5	22	49.0
-SK1-12mm-R12	12	R-3/4	9.5	27	50.5
-SK1-15mm-R8	15	R-1/2	11.9	24	49.0
-SK1-16mm-R4	16	R-1/4	7.1	24	44.1
-SK1-16mm-R6	16	R-3/8	9.5	24	44.1
-SK1-16mm-R8	16	R-1/2	11.9	24	49.0
-SK1-16mm-R12	16	R-3/4	12.7	27	50.5
-SK1-18mm-R8	18	R-1/2	11.9	27	50.5
-SK1-18mm-R12	18	R-3/4	15.1	27	50.5
-SK1-20mm-R8	20	R-1/2	11.9	30	52.3
-SK1-20mm-R12	20	R-3/4	15.9	30	52.3
-SK1-22mm-R12	22	R-3/4	15.9	30	52.3
-SK1-22mm-R16	22	R-1	18.3	35	57.1
-SK1-25mm-R12	25	R-3/4	15.9	35	57.5
-SK1-25mm-R16	25	R-1	21.8	35	62.3

参考规范:

Reference Specifications & Codes

德国工业标准-国际标准化组织标准第2299部分 (DIN-ISO2299) Deutsche industry norm (DIN)-International Organization for Standardization: Part 2299 (DIN-ISO2299)

英国国家标准学会标准第21部分 (BS-21) British Standards Institution Part 21 (BS-21)

日本工业标准第B0203部分 (JIS-B0203) Japanese Engineering Standards Part B0203 (JIS-B0203)

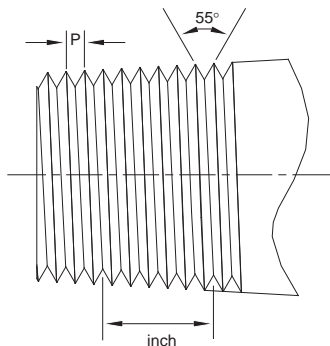
国际标准化组织标准第7/1-BSP-T部分 (ISO-7/1-BSP-T) International Organization for Standardization Part 7/1-BSP-T (ISO-7/1-BSP-T)

□55° 螺纹断面角 55° thread profile angle

□螺距的尺寸单位为毫米 The unit for thread pitch is mm.

□根部和顶部采用圆角截断的方法 The root and top are round-angle cut off.

□圆锥角为1° 47' The taper angle is 1° 47'.

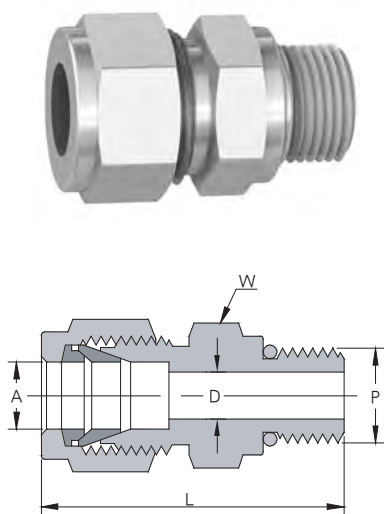


尺寸仅参考, 并随时可能改变。The size is only for reference and can be changed accordingly.

XYG-SK(LOK)系列双卡套管接头

XYG – SK(LOK) Tube Fittings With Double Furrules

● -SK1 (UN)型外螺纹直通接头 Male Connector (in)



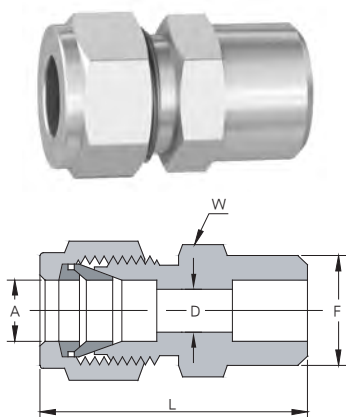
基本订货号 Order information	A		P (UN)	D		W		L	
	英寸 (in)	毫米 (mm)		英寸 (in)	毫米 (mm)	英寸 (in)	毫米 (mm)	英寸 (in)	毫米 (mm)
-SK1-2-5/16-24	1/8	3.17	5/16-24	0.09	2.28	7/16	11.11	1.18	29.97
-SK1-4-7/16-20	1/4	6.35	7/16-20	0.19	4.82	9/16	14.28	1.34	34.03
-SK1-4-9/16-18	1/4	6.35	9/16-18	0.19	4.82	11/16	17.46	1.40	35.56
-SK1-4-3/4-16	1/4	6.35	3/4-16	0.19	4.82	7/8	22.22	1.47	37.33
-SK1-4-7/8-14	1/4	6.35	7/8-14	0.19	4.82	1	25.40	1.60	40.64
-SK1-5-1/2-20	5/16	7.93	1/2-20	0.25	6.40	5/8	15.87	1.37	34.80
-SK1-6-7/16-20	3/8	9.52	7/16-20	0.20	5.80	5/8	15.87	1.40	35.56
-SK1-6-9/16-18	3/8	9.52	9/16-18	0.28	7.11	11/16	17.46	1.46	37.02
-SK1-6-3/4-16	3/8	9.52	3/4-16	0.28	7.11	7/8	22.22	1.54	39.11
-SK1-6-7/8-14	3/8	9.52	7/8-14	0.28	7.11	1	25.40	1.66	42.16
-SK1-8-9/16-18	1/2	12.70	9/16-18	0.28	7.11	13/16	20.63	1.54	39.11
-SK1-8-3/4-16	1/2	12.70	3/4-16	0.41	10.41	7/8	22.22	1.65	41.91
-SK1-8-7/8-14	1/2	12.70	7/8-14	0.41	10.41	1	25.40	1.77	44.96
-SK1-8-11/16-12	1/2	12.70	11/16-12	0.41	10.41	11/4	31.75	1.93	49.02
-SK1-10-3/4-16	5/8	15.87	3/4-16	0.42	10.66	15/16	23.81	1.65	41.91
-SK1-10-7/8-14	5/8	15.87	7/8-14	0.50	12.70	1	25.40	1.78	45.21
-SK1-12-3/4-16	3/4	19.05	3/4-16	0.42	10.66	11/16	26.98	1.81	46.00
-SK1-12-11/16-12	3/4	19.05	11/16-12	0.62	15.74	11/4	31.75	1.93	49.02
-SK1-14-13/16-12	7/8	22.22	13/16-12	0.72	18.29	13/8	34.92	1.93	49.02
-SK1-16-11/16-12	1	25.40	11/16-12	0.66	16.76	13/8	34.92	2.11	53.59
-SK1-16-15/16-12	1	25.40	15/16-12	0.88	22.35	11/2	38.10	2.14	54.35

● -SK1 (UNF)型外螺纹直通接头 Male Connector (in)

基本订货号 Order information	A		P (UNF)	D		W		L	
	英寸 (in)	毫米 (mm)		英寸 (in)	毫米 (mm)	英寸 (in)	毫米 (mm)	英寸 (in)	毫米 (mm)
-SK1-1-5/16-24	1/16	1.58	5/16-24	0.15	1.27	9/16	14.28	1.05	26.67
-SK1-2-5/16-24	1/8	3.17	5/16-24	0.09	2.28	9/16	14.28	1.28	32.51
-SK1-3-3/8-24	3/16	4.76	3/8-24	0.12	3.04	5/8	15.87	1.36	34.54
-SK1-4-7/16-20	1/4	6.35	7/16-20	0.19	4.22	3/4	19.05	1.52	38.60
-SK1-5-1/2-20	5/16	7.93	1/2-20	0.25	6.35	7/8	22.22	1.61	40.89
-SK1-6-9/16-18	3/8	9.52	9/16-18	0.28	7.11	5/16	23.81	1.67	40.89
-SK1-8-3/4-16	1/2	12.70	3/4-16	0.41	10.41	11/8	28.57	1.81	45.77
-SK1-12-11/16-12	3/4	19.05	11/16-12	0.62	15.74	11/2	38.10	2.05	52.07
-SK1-16-15/16-12	1	25.40	15/16-12	0.88	22.35	13/4	44.45	2.29	58.17

尺寸仅供参考，并随时可能改变。The size is only for reference and can be changed accordingly.

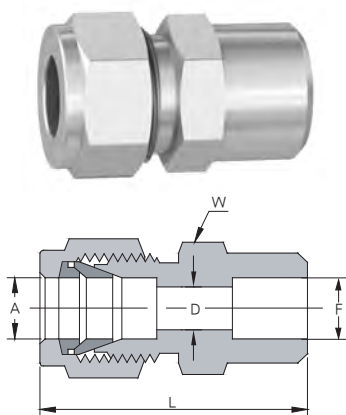
● -SK1-CH型焊接直通接头 Weld Connector (mm)



基本订货号 Order information	A 毫米 (mm)	F 毫米 (mm)	D 英寸 (in)	W 毫米 (mm)	L 毫米 (mm)
-SK1-CH-3mm	3	10.3	2.4	12	30.5
-SK1-CH-4mm	4	10.3	2.4	12	31.2
-SK1-CH-6mm	6	10.3	4.8	14	32.8
-SK1-CH-6mm	6	13.7	4.8	14	37.9
-SK1-CH-8mm	8	10.3	5.1	15	34.2
-SK1-CH-8mm	8	13.7	6.4	15	38.7
-SK1-CH-8mm	8	21.3	6.4	22	45.6
-SK1-CH-10mm	10	13.7	7.1	18	40.9
-SK1-CH-10mm	10	17.1	7.9	18	40.9
-SK1-CH-10mm	10	21.3	7.9	22	46.5
-SK1-CH-12mm	12	13.7	7.1	22	43.4
-SK1-CH-12mm	12	17.1	9.5	22	43.4
-SK1-CH-12mm	12	21.3	9.5	22	49.0
-SK1-CH-15mm	15	21.3	11.9	24	49.0
-SK1-CH-16mm	16	21.3	12.7	24	49.0
-SK1-CH-18mm	18	21.3	13.5	27	50.5

● -SK1-CH型焊接直通接头 Weld Connector (in)

基本订货号 Order information	A		F		D		W		L	
	英寸 (in)	毫米 (mm)	英寸 (in)	毫米 (mm)	英寸 (in)	毫米 (mm)	英寸 (in)	毫米 (mm)	英寸 (in)	毫米 (mm)
-SK1-CH-2	1/8	3.17	1/8	10.30	0.09	2.28	7/16	11.11	1.20	30.48
-SK1-CH-3	3/16	4.76	1/8	10.30	0.12	3.04	7/16	11.11	1.22	30.98
-SK1-CH-4	1/4	6.35	1/8	10.30	0.19	4.82	1/2	12.70	1.30	33.02
-SK1-CH-4	1/4	6.35	1/4	13.70	0.19	4.82	9/16	14.28	1.48	37.59
-SK1-CH-5	5/16	7.93	1/8	10.30	0.20	5.08	9/16	14.28	1.34	34.04
-SK1-CH-5	5/16	7.93	1/4	13.70	0.25	6.35	9/16	14.28	1.52	38.61
-SK1-CH-6	3/8	9.52	1/4	13.70	0.28	7.11	5/8	15.87	1.57	39.87
-SK1-CH-6	3/8	9.52	3/8	17.10	0.28	7.11	11/16	17.46	1.57	39.87
-SK1-CH-6	3/8	9.52	1/2	21.30	0.28	7.11	7/8	22.22	1.82	46.22
-SK1-CH-8	1/2	12.70	3/8	17.10	0.41	10.41	13/16	20.63	1.71	44.43
-SK1-CH-8	1/2	12.70	1/2	21.30	0.41	10.41	7/8	22.22	1.93	49.00
-SK1-CH-8	1/2	12.70	3/4	26.67	0.41	10.41	11/16	26.98	2.00	50.80
-SK1-CH-10	5/8	15.87	1/2	21.30	0.50	12.70	15/16	23.81	1.93	49.02
-SK1-CH-12	3/4	19.05	3/4	26.67	0.62	15.74	11/16	26.98	2.00	50.80
-SK1-CH-16	1	25.40	1	33.40	0.88	22.35	13/8	34.92	2.45	62.23



● -SK1-CHF型承插焊直通接头 Socket Weld Connector (mm)

基本订货号 Order information	A 毫米 (mm)	D 毫米 (mm)	W 英寸 (in)	F 毫米 (mm)	L 毫米 (mm)
-SK1-CHF-3mm	3	2.4	12	7.4	30.5
-SK1-CHF-4mm	4	2.4	12	8.1	31.2
-SK1-CHF-6mm	6	4.8	14	12.2	32.8
-SK1-CHF-8mm	8	5.1	15	14.6	34.2
-SK1-CHF-10mm	10	7.9	18	15.8	40.9
-SK1-CHF-12mm	12	9.5	22	19.0	43.4
-SK1-CHF-15mm	15	11.9	24	22.2	49.0
-SK1-CHF-16mm	16	12.7	24	23.0	49.0
-SK1-CHF-18mm	18	13.5	27	25.4	50.5

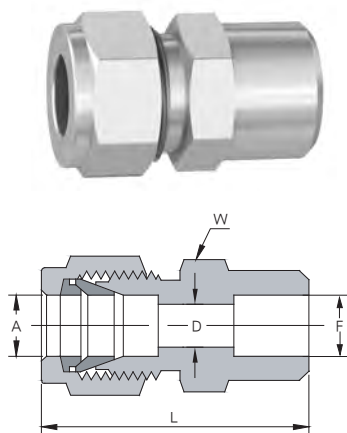
尺寸仅供参考，并随时可能改变。The size is only for reference and can be changed accordingly.

XYG-SK(LOK)系列双卡套管接头



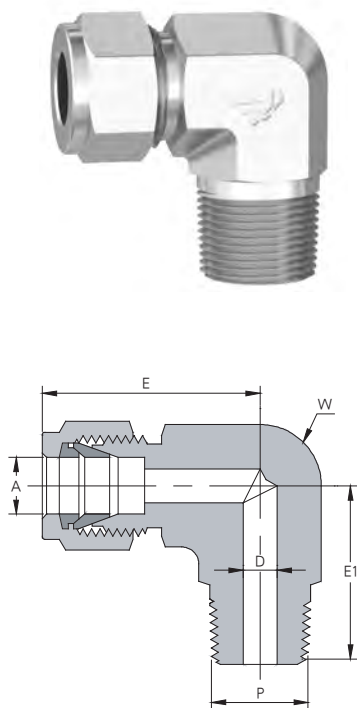
XYG – SK(LOK) Tube Fittings With Double Furrules

● -SK1-CHF型承插焊直通接头 Socket Weld Connector (in)



基本订货号 Order information	A		D		W		F		L	
	英寸 (in)	毫米 (mm)	英寸 (in)	毫米 (mm)	英寸 (in)	毫米 (mm)	英寸 (in)	毫米 (mm)	英寸 (in)	毫米 (mm)
-SK1-CHF-2	1/8	3.17	0.09	2.28	7/16	11.11	0.31	7.87	1.14	28.96
-SK1-CHF-4	1/4	6.35	0.19	4.82	1/2	12.70	0.44	11.18	1.32	33.53
-SK1-CHF-6	3/8	9.52	0.28	7.11	5/8	15.87	0.62	15.75	1.48	37.60
-SK1-CHF-8	1/2	12.70	0.41	10.41	13/16	20.64	0.75	19.05	1.62	41.15
-SK1-CHF-12	3/4	19.05	0.62	15.80	11/16	26.98	1.05	26.67	1.71	43.43
-SK1-CHF-16	1	25.40	0.88	22.35	13/8	34.93	1.31	33.27	2.07	52.58

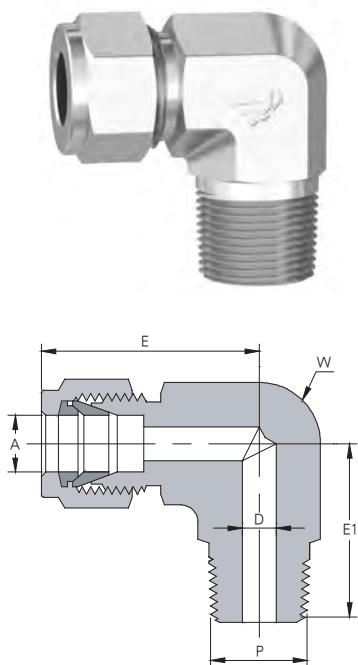
● -SK2 (NPT)型外螺纹弯通接头 Male Elbow (mm)



基本订货号 Order information	A	P	D	W		E	E1
	毫米 (mm)	(NPT)	毫米 (mm)	英寸 (in)	毫米 (mm)	毫米 (mm)	毫米 (mm)
-SK2-3mm-2	3	1/8	2.4	7/16	11.1	23.6	17.8
-SK2-3mm-4	3	1/4	2.4	5/8	15.9	24.6	23.4
-SK2-4mm-2	4	1/8	2.4	7/16	11.1	25.4	18.8
-SK2-4mm-4	4	1/4	2.4	5/8	15.9	25.4	23.4
-SK2-6mm-2	6	1/8	4.8	1/2	12.7	27.0	18.8
-SK2-6mm-4	6	1/4	4.8	1/2	12.7	27.0	23.4
-SK2-6mm-6	6	3/8	4.8	13/16	18.5	29.8	26.2
-SK2-6mm-8	6	1/2	4.8	15/16	23.8	31.8	33.0
-SK2-8mm-2	8	1/8	4.8	5/8	15.9	28.8	19.8
-SK2-8mm-4	8	1/4	6.4	5/8	16.0	28.8	24.4
-SK2-8mm-8	8	1/2	6.4	15/16	23.8	32.6	33.0
-SK2-10mm-2	10	1/8	4.8	11/16	17.5	31.5	21.6
-SK2-10mm-4	10	1/4	7.1	11/16	17.5	31.5	26.2
-SK2-10mm-6	10	3/8	7.9	13/16	17.5	31.5	26.2
-SK2-10mm-8	10	1/2	7.9	15/16	23.8	33.5	33.0
-SK2-12mm-4	12	1/4	7.1	13/16	20.5	36.0	28.2
-SK2-12mm-6	12	3/8	9.5	13/16	20.5	36.0	28.2
-SK2-12mm-8	12	1/2	9.5	15/16	24.0	36.0	33.0
-SK2-12mm-12	12	3/4	9.5	11/8	28.6	39.8	36.8
-SK2-15mm-8	15	1/2	11.9	15/16	24.0	38.0	35.1
-SK2-16mm-6	16	3/8	9.5	15/16	24.0	38.0	30.2
-SK2-16mm-8	16	1/2	11.9	15/16	23.8	38.0	35.1
-SK2-16mm-12	16	3/4	12.7	11/8	28.6	39.8	36.8
-SK2-18mm-8	18	1/2	11.9	11/8	28.6	39.8	36.8
-SK2-18mm-12	18	3/4	15.1	11/8	28.6	39.8	36.8
-SK2-20mm-8	20	1/2	11.9	13/16	30.2	44.6	41.7
-SK2-20mm-12	20	3/4	15.9	13/16	30.2	44.6	41.7
-SK2-22mm-12	22	3/4	15.9	13/16	30.2	44.6	41.7
-SK2-22mm-16	22	1	18.3	13/8	35.0	44.6	46.5
-SK2-25mm-12	25	3/4	15.9	13/8	35.0	49.1	41.7
-SK2-25mm-16	25	1	21.8	13/8	35.0	49.1	46.5

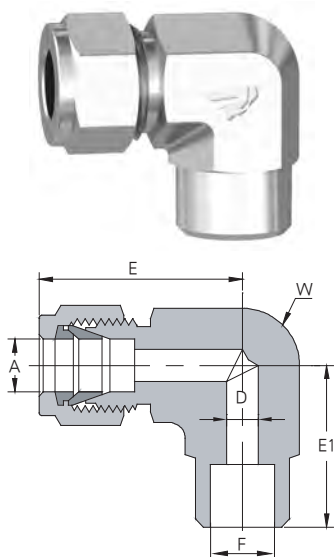
尺寸仅供参考，并随时可能改变。The size is only for reference and can be changed accordingly.

● -SK2 (NPT)型外螺纹弯通接头 Male Elbow (in)



基本订货号 Order information	A		P (NPT)	D		W		E		E1	
	英寸 (in)	毫米 (mm)		英寸 (in)	毫米 (mm)	英寸 (in)	毫米 (mm)	英寸 (in)	毫米 (mm)	英寸 (in)	毫米 (mm)
-SK2-1-1	1/16	1.58	1/16	0.05	1.27	3/8	9.52	0.75	19.05	0.70	17.78
-SK2-1-2	1/16	1.58	1/8	0.05	1.27	7/16	11.11	0.75	19.05	0.70	17.78
-SK2-2-1	1/8	3.17	1/16	0.09	2.28	3/8	9.52	0.93	23.62	0.70	17.78
-SK2-2-2	1/8	3.17	1/8	0.09	2.28	7/16	11.11	0.93	23.62	0.70	17.78
-SK2-2-4	1/8	3.17	1/4	0.09	2.28	5/8	15.90	0.97	24.64	0.92	23.37
-SK2-3-2	3/16	4.76	1/8	0.12	3.04	1/2	12.70	1.00	25.40	0.74	18.80
-SK2-3-4	3/16	4.76	1/4	0.12	3.04	5/8	15.90	1.00	25.40	0.92	23.37
-SK2-4-2	1/4	6.35	1/8	0.19	4.82	1/2	12.70	1.06	26.92	0.74	18.80
-SK2-4-4	1/4	6.35	1/4	0.19	4.82	1/2	12.70	1.06	26.92	0.92	23.37
-SK2-4-6	1/4	6.35	3/8	0.19	4.82	13/16	20.60	1.17	29.71	1.03	26.16
-SK2-4-8	1/4	6.35	1/2	0.19	4.82	15/16	23.80	1.25	31.75	1.30	33.02
-SK2-5-2	5/16	7.93	1/8	0.19	4.82	5/8	15.87	1.13	28.70	0.78	19.81
-SK2-5-4	5/16	7.93	1/4	0.25	6.35	5/8	15.87	1.13	28.70	0.96	24.38
-SK2-5-6	5/16	7.93	3/8	0.25	6.35	13/16	20.60	1.20	30.48	1.03	26.16
-SK2-6-2	3/8	9.52	1/8	0.19	4.82	5/8	15.87	1.20	30.48	0.82	20.83
-SK2-6-4	3/8	9.52	1/4	0.28	7.11	5/8	15.87	1.20	30.48	1.00	25.40
-SK2-6-6	3/8	9.52	3/8	0.28	7.11	13/16	20.60	1.23	31.24	1.03	26.16
-SK2-6-8	3/8	9.52	1/2	0.28	7.11	15/16	23.80	1.31	33.28	1.30	33.02
-SK2-6-12	3/8	9.52	3/4	0.28	7.11	11/8	28.60	1.46	37.08	1.45	36.83
-SK2-8-4	1/2	12.70	1/4	0.28	7.11	13/16	20.63	1.42	36.07	1.11	28.19
-SK2-8-6	1/2	12.70	3/8	0.38	9.65	13/16	20.63	1.42	36.07	1.44	28.19
-SK2-8-8	1/2	12.70	1/2	0.41	10.41	15/16	26.80	1.42	36.07	1.30	33.02
-SK2-8-12	1/2	12.70	3/4	0.41	10.41	11/8	28.60	1.57	39.88	1.45	36.83
-SK2-10-6	5/8	15.87	3/8	0.38	9.61	15/16	23.81	1.50	38.10	1.19	30.23
-SK2-10-8	5/8	15.87	1/2	0.47	11.94	15/16	23.81	1.50	38.10	1.38	35.05
-SK2-10-12	5/8	15.87	3/4	0.50	12.70	11/8	28.60	1.57	39.88	1.45	36.83
-SK2-12-8	3/4	19.05	1/2	0.47	11.94	11/8	28.60	1.57	39.88	1.45	36.83
-SK2-12-12	3/4	19.05	3/4	0.62	15.74	11/8	28.60	1.57	39.88	1.45	36.83
-SK2-14-12	7/8	22.22	3/4	0.62	15.74	13/16	30.20	1.76	44.70	1.64	41.66
-SK2-16-12	1	25.4	3/4	0.62	15.74	13/8	34.90	1.93	49.02	1.64	41.66
-SK2-16-16	1	25.4	1	0.88	22.35	13/8	34.90	1.93	49.02	1.83	46.48
-SK2-20-20	1 1/4	31.75	1 1/4	1.09	27.70	1 11/16	42.90	2.62	66.50	1.88	47.80
-SK2-24-24	1 1/2	38.10	1 1/2	1.34	34.00	2	50.80	3.07	78.00	2.38	60.50

● -SK2-CHF型承插焊弯通接头 Socket Weld Elbow (in)



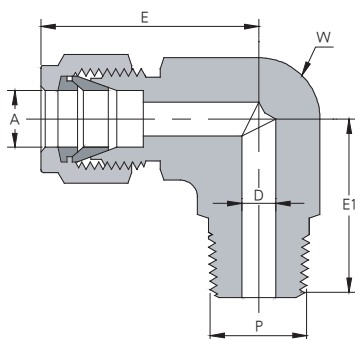
基本订货号 Order information	A		D		W		F		E		E1	
	英寸 (in)	毫米 (mm)	英寸 (in)	毫米 (mm)	英寸 (in)	毫米 (mm)	英寸 (in)	毫米 (mm)	英寸 (in)	毫米 (mm)	英寸 (in)	毫米 (mm)
-SK2-CHF-4-4	1/4	6.35	0.19	4.82	1/2	12.70	1/4	6.35	1.07	27.17	0.78	19.81
-SK2-CHF-6-6	3/8	9.52	0.28	7.11	5/8	15.87	3/8	9.52	1.20	30.98	0.91	23.11
-SK2-CHF-8-8	1/2	12.70	0.41	10.41	13/16	20.64	1/2	12.70	1.41	35.81	1.02	25.91

尺寸仅供参考，并随时可能改变。The size is only for reference and can be changed accordingly.

XYG-SK(LOK)系列双卡套管接头

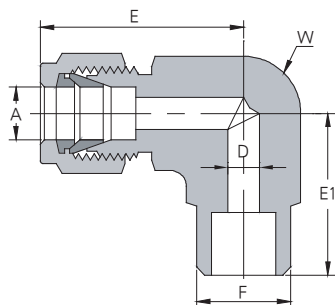
XYG – SK(LOK) Tube Fittings With Double Furrules

● -SK2 (R)型外螺纹弯通接头 Male Elbow (mm)



基本订货号 Order information	A		P (BSPT)	D		W		E		E1	
	英寸	毫米		英寸	毫米	英寸	毫米	英寸	毫米	英寸	毫米
-SK2-3mm-R2		3	R-1/8		2.4	7/16	11.1		23.6		17.8
-SK2-3mm-R4		3	R-1/4		2.4	5/8	15.9		24.6		23.4
-SK2-4mm-R2		4	R-1/8		2.4	7/16	11.1		25.4		18.8
-SK2-4mm-R4		4	R-1/4		2.4	5/8	15.9		25.4		23.4
-SK2-6mm-R2		6	R-1/8		4.8	1/2	12.7		27.0		18.8
-SK2-6mm-R4		6	R-1/4		4.8	1/2	12.7		27.0		23.4
-SK2-6mm-R6		6	R-3/8		4.8	13/16	20.6		29.8		26.2
-SK2-6mm-R8		6	R-1/2		4.8	15/16	23.8		31.8		33.0
-SK2-8mm-R2		8	R-1/8		4.8	5/8	15.9		28.8		19.8
-SK2-8mm-R4		8	R-1/4		6.4	5/8	15.9		28.8		24.4
-SK2-8mm-R6		8	R-3/8		6.4	13/16	20.6		31.3		26.2
-SK2-8mm-R8		8	R-1/2		6.4	15/16	23.8		32.6		33.0
-SK2-10mm-R4		10	R-1/4		7.1	11/16	17.5		31.5		26.2
-SK2-10mm-R6		10	R-3/8		7.9	13/16	20.6		31.5		26.2
-SK2-10mm-R8		10	R-1/2		7.9	15/16	23.8		33.5		33.0
-SK2-12mm-R2		12	R-1/8		4.8	13/16	20.6		36.0		23.6
-SK2-12mm-R4		12	R-1/4		7.1	13/16	20.6		36.0		28.2
-SK2-12mm-R6		12	R-3/8		9.5	13/16	20.6		36.0		28.2
-SK2-12mm-R8		12	R-1/2		9.5	15/16	23.8		36.0		33.0
-SK2-12mm-R12		12	R-3/4		9.5	11/8	28.6		39.8		36.8
-SK2-16mm-R6		16	R-3/8		9.5	15/16	23.8		38.0		30.2
-SK2-16mm-R8		16	R-1/2		11.9	15/16	23.8		38.0		35.1
-SK2-18mm-R8		18	R-1/2		11.9	11/8	28.6		39.8		36.8
-SK2-18mm-R12		18	R-3/4		15.1	11/8	28.6		39.8		36.8
-SK2-20mm-R8		20	R-1/2		11.9	13/16	30.2		44.6		41.7
-SK2-20mm-R12		20	R-3/4		15.9	13/16	30.2		44.6		41.7
-SK2-22mm-R12		22	R-3/4		15.9	13/16	30.2		44.6		41.7
-SK2-22mm-R16		22	R-1		18.3	13/8	35.0		44.6		46.5
-SK2-25mm-R12		25	R-3/4		15.9	13/8	35.0		49.1		41.7
-SK2-25mm-R16		25	R-1		21.8	13/8	35.0		49.1		46.5

● -SK2-CH型对焊弯通接头 Pipe Weld Elbow (in)



基本订货号 Order information	A		F		D		W		E		E1	
	英寸	毫米	英寸	毫米	英寸	毫米	英寸	毫米	英寸	毫米	英寸	毫米
-SK2-CH-4-2	1/4	6.35	1/8	10.80	0.19	4.82	1/2	12.70	1.06	26.92	0.74	18.80
-SK2-CH-4-4	1/4	6.35	1/4	13.70	0.19	4.82	1/2	12.70	1.06	26.92	0.92	23.37
-SK2-CH-6-4	3/8	9.52	1/4	13.70	0.28	7.11	5/8	15.87	1.20	30.48	1.00	25.40
-SK2-CH-8-8	1/2	12.70	1/2	21.34	0.41	10.41	13/16	20.64	1.42	36.06	1.30	33.02
-SK2-CH-12-12	3/4	19.05	3/4	26.67	0.62	15.80	11/8	28.60	1.57	39.88	1.45	36.83

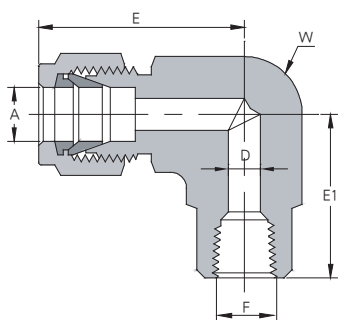
尺寸仅供参考，并随时可能改变。The size is only for reference and can be changed accordingly.

● -SK8型内螺纹弯通接头 Female Elbow (mm)



基本订货号 Order information	A		P (NPT)	D		W		E		E1	
	毫米 (mm)			毫米 (mm)	英寸 (in)	毫米 (mm)	毫米 (mm)	毫米 (mm)	毫米 (mm)	毫米 (mm)	
-SK8-6mm-2	6		1/8	4.8	5/8	15.9		27.0		19.1	
-SK8-6mm-4	6		1/4	4.8	13/16	20.6		29.8		22.4	
-SK8-10mm-4	10		1/4	7.9	13/16	20.6		33.5		22.4	
-SK8-12mm-4	12		1/4	9.5	13/16	20.6		36.0		22.4	
-SK8-12mm-8	12		1/2	9.5	11/8	30.0		38.8		28.5	

● -SK8型内螺纹弯通接头 Female Elbow (in)



基本订货号 Order information	A		P (NPT)	D		W		E		E1	
	英寸 (in)	毫米 (mm)		英寸 (in)	毫米 (mm)	英寸 (in)	毫米 (mm)	英寸 (in)	毫米 (mm)	英寸 (in)	毫米 (mm)
-SK8-2-2	1/8	3.17	1/8	0.09	2.28	5/8	15.87	0.97	24.64	0.75	19.05
-SK8-2-4	1/8	3.17	1/4	0.09	2.28	13/16	20.63	1.08	27.43	0.88	22.35
-SK8-3-2	3/16	4.76	1/8	0.12	3.04	5/8	15.87	1.02	25.90	0.75	19.05
-SK8-4-2	1/4	6.35	1/8	0.19	4.82	5/8	15.87	1.06	26.92	0.75	19.05
-SK8-4-4	1/4	6.35	1/4	0.19	4.82	13/16	20.63	1.17	29.72	0.88	22.35
-SK8-4-6	1/4	6.35	3/8	0.19	4.82	15/16	23.81	1.25	31.75	0.88	22.35
-SK8-4-8	1/4	6.35	1/2	0.19	4.82	11/8	28.60	1.36	34.54	1.12	28.45
-SK8-5-2	5/16	9.52	1/8	0.25	6.35	5/8	15.87	1.13	28.70	0.75	19.05
-SK8-5-4	5/16	7.93	1/4	0.25	6.35	13/16	20.63	1.20	30.48	0.88	22.35
-SK8-6-2	3/8	7.93	1/8	0.28	7.11	5/8	15.87	1.20	30.48	0.75	19.05
-SK8-6-4	3/8	9.52	1/4	0.28	7.11	13/16	20.63	1.23	31.24	0.88	22.35
-SK8-6-6	3/8	9.52	3/8	0.28	7.11	15/16	23.81	1.31	33.27	0.88	22.35
-SK8-6-8	3/8	9.52	1/2	0.28	7.11	11/8	28.60	1.42	36.07	1.12	28.45
-SK8-8-4	1/2	12.70	1/4	0.41	10.41	13/16	20.63	1.42	36.07	0.88	22.35
-SK8-8-6	1/2	12.70	3/8	0.41	10.41	15/16	23.81	1.42	36.07	0.88	22.35
-SK8-8-8	1/2	12.70	1/2	0.41	10.41	11/8	28.60	1.53	36.86	1.12	28.44
-SK8-10-6	5/8	15.87	3/8	0.50	12.70	15/16	28.60	1.50	38.10	0.88	22.35
-SK8-10-8	5/8	15.87	1/2	0.50	12.70	11/8	28.60	1.57	39.88	1.12	28.44
-SK8-12-8	3/4	19.05	1/2	0.62	15.74	11/8	28.60	1.57	39.88	1.12	28.44
-SK8-12-12	3/4	19.05	3/4	0.62	15.74	13/8	34.92	1.76	44.70	1.25	31.75
-SK8-14-12	7/8	22.22	3/4	0.72	18.28	13/8	34.92	1.76	44.70	1.25	31.75
-SK8-16-12	1	25.40	3/4	0.88	22.35	13/8	34.92	1.93	49.02	1.25	31.75
-SK8-16-16	1	25.40	1	0.88	22.35	111/16	42.86	2.11	53.59	1.50	38.10

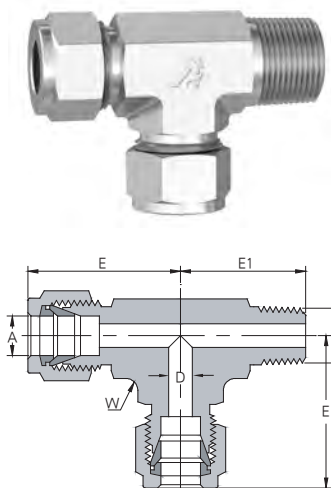
尺寸仅供参考，并随时可能改变。The size is only for reference and can be changed accordingly.

XYG-SK(LOK)系列双卡套管接头



XYG – SK(LOK) Tube Fittings With Double Furrules

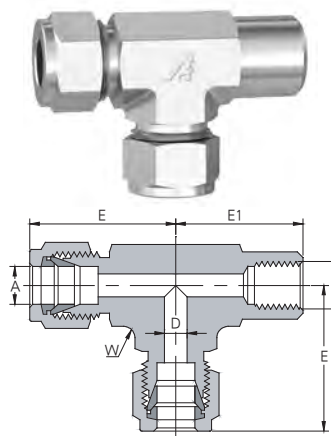
● -SKTMT型外螺纹侧三通 Male Side Tee (mm)



基本订货号 Order information	A		P (NPT)	D 毫米 (mm)	W		E 毫米 (mm)	E1 毫米 (mm)
	毫米 (mm)	英寸 (in)			毫米 (mm)	英寸 (in)		
-SKTMT-6mm-2	6		1/8	4.8	1/2	12.7	27.0	18.0
-SKTMT-6mm-4	6		1/4	4.8	5/8	16.0	27.0	23.4
-SKTMT-8mm-2	8		1/8	4.8	5/8	16.0	29.9	20.8
-SKTMT-8mm-4	8		1/4	6.4	5/8	16.0	29.9	25.4
-SKTMT-10mm-4	10		1/4	7.1	11/16	17.5	33.5	28.2
-SKTMT-12mm-4	12		1/4	7.1	13/16	20.6	36.0	28.2
-SKTMT-12mm-6	12		3/8	9.5	13/16	20.6	36.0	28.2
-SKTMT-12mm-8	12		1/2	9.5	15/16	24.0	36.0	33.0
-SKTMT-16mm-8	16		1/2	11.9	15/16	24.0	38.0	35.0

● -SKTMT型外螺纹侧三通 Male Side Tee (in)

基本订货号 Order information	A		P (NPT)	D		W		E		E1	
	英寸 (in)	毫米 (mm)		英寸 (in)	毫米 (mm)	英寸 (in)	毫米 (mm)	英寸 (in)	毫米 (mm)	英寸 (in)	毫米 (mm)
-SKTMT-2-2	1/8	3.17	1/8	0.09	2.28	7/16	11.11	0.93	23.62	0.70	17.78
-SKTMT-2-4	1/8	3.17	1/4	0.09	2.28	5/8	15.87	0.97	24.64	0.92	23.37
-SKTMT-3-2	3/16	4.76	1/8	0.12	3.05	7/16	11.11	0.96	24.38	0.70	17.78
-SKTMT-4-2	1/4	6.35	1/8	0.19	4.82	1/2	12.70	1.06	26.92	0.74	18.80
-SKTMT-4-4	1/4	6.35	1/4	0.19	4.82	5/8	15.87	1.06	26.92	0.92	23.37
-SKTMT-5-2	5/16	7.93	1/8	0.19	4.82	5/8	15.87	1.17	29.71	0.82	20.83
-SKTMT-6-4	3/8	9.52	1/4	0.28	7.11	5/8	15.87	1.20	30.48	1.00	25.40
-SKTMT-6-6	3/8	9.52	3/8	0.28	7.11	13/16	20.63	1.31	33.27	1.11	28.19
-SKTMT-8-6	1/2	12.70	3/8	0.41	10.41	13/16	20.63	1.42	36.07	1.11	28.19
-SKTMT-8-8	1/2	12.70	1/2	0.41	10.41	15/16	23.81	1.42	36.07	1.30	33.02
-SKTMT-10-8	5/8	15.87	1/2	0.47	11.94	15/16	23.81	1.50	38.10	1.38	35.05
-SKTMT-12-12	3/4	19.05	3/4	0.62	15.75	11/8	28.60	1.57	39.88	1.45	36.83

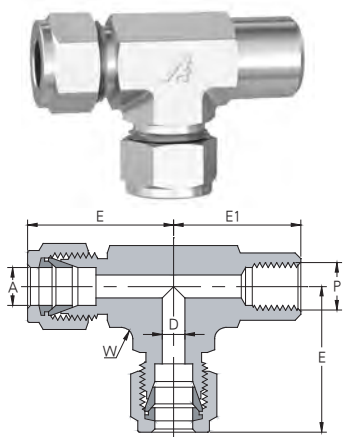


● -SKTFT型内螺纹侧三通 Female Side Tee (mm)

基本订货号 Order information	A		P (NPT)	D 毫米 (mm)	W		E 毫米 (mm)	E1 毫米 (mm)
	毫米 (mm)	英寸 (in)			毫米 (mm)	英寸 (in)		
-SKTFT-6mm-2	6		1/8	4.8	5/8	15.87	27.0	19.00
-SKTFT-6mm-4	6		1/4	4.8	13/16	20.63	29.8	22.30
-SKTFT-12mm-4	12		1/4	9.5	13/16	20.63	36.0	22.40
-SKTFT-12mm-8	12		1/2	9.5	11/8	28.60	36.0	28.50

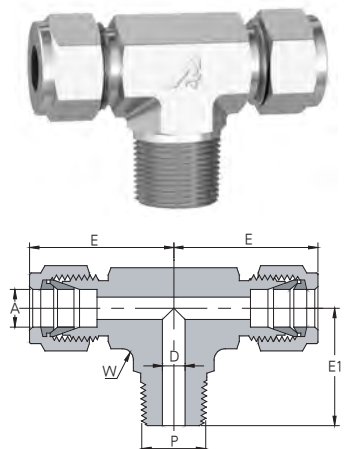
尺寸仅供参考，并随时可能改变。The size is only for reference and can be changed accordingly.

● -SKTFT型内螺纹侧三通 Female Side Tee (in)



基本订货号 Order information	A		P (NPT)	D		W		E		E1	
	英寸 (in)	毫米 (mm)		英寸 (in)	毫米 (mm)	英寸 (in)	毫米 (mm)	英寸 (in)	毫米 (mm)	英寸 (in)	毫米 (mm)
-SKTFT-2-2	1/8	3.17	1/8	0.09	2.28	5/8	15.87	0.97	24.44	0.75	19.05
-SKTFT-4-2	1/4	6.35	1/8	0.19	4.82	5/8	15.87	1.06	26.92	0.75	19.05
-SKTFT-4-4	1/4	6.35	1/4	0.19	4.82	13/16	20.63	1.17	29.71	0.88	22.35
-SKTFT-6-4	3/8	9.52	1/4	0.28	7.11	13/16	20.63	1.23	32.24	0.88	22.35
-SKTFT-8-6	1/2	12.70	3/8	0.41	10.41	15/16	23.81	1.42	36.07	0.88	22.35
-SKTFT-8-8	1/2	12.70	1/2	0.41	10.41	11/8	28.60	1.57	39.88	1.12	28.45
-SKTFT-12-12	3/4	19.05	3/4	0.62	15.75	13/8	34.92	1.76	44.70	1.25	31.75

● -SKTTM型外螺纹支管三通 Male Branch Tee (mm)



基本订货号 Order information	A 毫米 (mm)	P (NPT)	D 毫米 (mm)	W		E 毫米 (mm)	E1 毫米 (mm)
				英寸 (in)	毫米 (mm)		
-SKTTM-6mm-2	6	1/8	4.8	1/2	12.70	27.0	18.8
-SKTTM-6mm-4	6	1/4	4.8	5/8	15.87	27.0	23.4
-SKTTM-8mm-2	8	1/8	4.8	5/8	15.87	29.9	20.8
-SKTTM-8mm-4	8	1/4	6.4	5/8	15.87	29.9	25.4
-SKTTM-10mm-4	10	1/4	7.1	11/16	17.46	33.5	28.2
-SKTTM-12mm-4	12	1/4	7.1	13/16	20.63	36.0	28.2
-SKTTM-12mm-6	12	3/8	9.5	13/16	20.63	36.0	28.2
-SKTTM-12mm-8	12	1/2	9.5	15/16	23.81	36.0	33.0
-SKTTM-16mm-8	16	1/2	11.9	15/16	23.81	38.8	35.8

● -SKTTM型外螺纹支管三通 Male Branch Tee (in)

基本订货号 Order information	A		P (NPT)	D		W		E		E1	
	英寸 (in)	毫米 (mm)		英寸 (in)	毫米 (mm)	英寸 (in)	毫米 (mm)	英寸 (in)	毫米 (mm)	英寸 (in)	毫米 (mm)
-SKTTM-2-2	1/8	3.17	1/8	0.09	2.28	7/16	11.11	0.93	23.62	0.70	17.78
-SKTTM-2-4	1/8	3.17	1/4	0.09	2.28	5/8	15.90	0.97	24.64	0.92	23.37
-SKTTM-3-2	3/16	4.76	1/8	0.12	3.04	7/16	11.11	0.96	24.38	0.70	17.78
-SKTTM-4-2	1/4	6.35	1/8	0.19	4.82	1/2	12.70	1.06	26.90	0.74	18.80
-SKTTM-4-4	1/4	6.35	1/4	0.19	4.82	5/8	15.87	1.06	26.90	0.92	23.37
-SKTTM-5-2	5/16	7.93	1/8	0.19	4.82	5/8	15.87	1.17	29.71	0.82	20.83
-SKTTM-6-4	3/8	9.52	1/4	0.28	7.11	5/8	15.87	1.20	30.48	1.00	25.40
-SKTTM-6-6	3/8	9.52	3/8	0.28	7.11	13/16	20.63	1.31	33.27	1.11	28.19
-SKTTM-8-6	1/2	12.70	3/8	0.38	9.65	13/16	20.63	1.42	36.07	1.11	28.19
-SKTTM-8-8	1/2	12.70	1/2	0.41	10.41	15/16	23.81	1.42	36.07	1.30	33.02
-SKTTM-10-8	5/8	15.87	1/2	0.47	11.94	15/16	23.81	1.53	38.86	1.41	35.80
-SKTTM-12-12	3/4	19.05	3/4	0.62	15.75	11/8	28.60	1.57	39.88	1.45	36.83

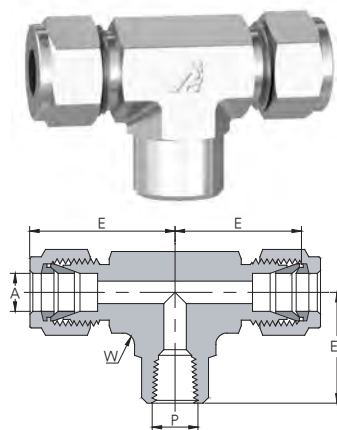
尺寸仅供参考，并随时可能改变。The size is only for reference and can be changed accordingly.

XYG-SK(LOK)系列双卡套管接头



XYG – SK(LOK) Tube Fittings With Double Furrules

● -SKTTF型内螺纹支管三通 Female Side Tee (mm)

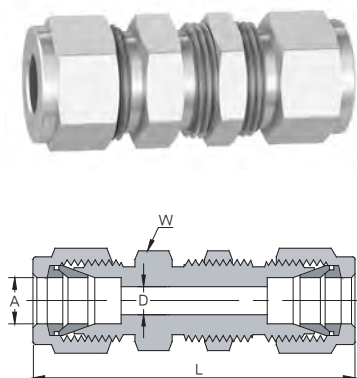


基本订货号 Order information	A		P (NPT)	D		W		E		E1	
	毫米 (mm)			毫米 (mm)	英寸 (in)	毫米 (mm)	英寸 (in)	毫米 (mm)	英寸 (in)	毫米 (mm)	英寸 (in)
-SKTTF-6mm-2	6		1/8	4.8		5/8	15.87	27.0		19.0	
-SKTTF-6mm-4	6		1/4	4.8		13/16	20.63	29.8		22.4	
-SKTTF-10mm-4	10		1/4	7.9		13/16	20.63	33.5		22.4	
-SKTTF-10mm-6	10		3/8	7.9		15/16	23.81	33.5		22.4	
-SKTTF-12mm-4	12		1/4	9.5		13/16	20.63	36.0		22.4	
-SKTTF-12mm-8	12		1/2	9.5		1 1/8	28.60	38.8		28.5	
-SKTTF-16mm-8	16		1/2	12.7		1 1/8	28.60	38.8		28.5	

● -SKTTF型内螺纹支管三通 Female Side Tee (in)

基本订货号 Order information	A		P (NPT)	D		W		E		E1	
	英寸 (in)	毫米 (mm)		英寸 (in)	毫米 (mm)	英寸 (in)	毫米 (mm)	英寸 (in)	毫米 (mm)	英寸 (in)	毫米 (mm)
-SKTTF-2-2	1/8	3.17	1/8	0.09	2.28	5/8	15.87	0.97	24.64	0.75	19.05
-SKTTF-4-2	1/4	6.35	1/8	0.19	4.82	5/8	15.87	1.06	26.96	0.75	19.05
-SKTTF-4-4	1/4	6.35	1/4	0.19	4.82	13/16	20.63	1.17	29.71	0.88	22.35
-SKTTF-6-4	3/8	9.52	1/4	0.28	7.11	13/16	20.63	1.23	31.24	0.88	22.35
-SKTTF-8-4	1/2	12.70	1/4	0.41	10.41	13/16	20.63	1.42	36.07	0.88	22.35
-SKTTF-8-6	1/2	12.70	3/8	0.41	10.41	15/16	23.81	1.42	36.07	0.88	22.35
-SKTTF-8-8	1/2	12.70	1/2	0.41	10.41	1 1/8	28.60	1.53	38.86	1.12	28.44
-SKTTF-10-8	5/8	15.87	1/2	0.50	12.70	1 1/8	28.60	1.53	38.86	1.12	28.44
-SKTTF-12-12	3/4	19.05	3/4	0.62	15.75	1 3/8	34.92	1.76	44.70	1.25	31.75
-SKTTF-16-12	1	25.40	3/4	0.88	22.35	1 3/8	34.92	1.93	49.02	1.25	31.75
-SKTTF-16-16	1	25.40	1	0.88	22.35	1 11/16	42.86	2.11	53.60	1.50	38.10

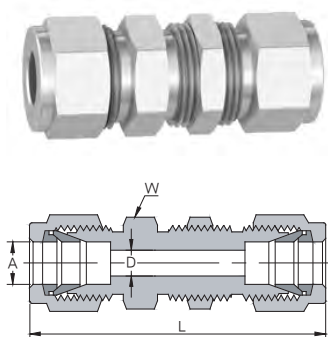
● -SK61型直通穿板接头 Bulkhead Union (mm)



基本订货号 Order information	A		D	W		E		开孔尺寸	
	毫米 (mm)			毫米 (mm)	毫米 (mm)	毫米 (mm)	毫米 (mm)	毫米 (mm)	毫米 (mm)
-SK61-3mm	3		2.4	14.0		51.3		8.30	
-SK61-4mm	4		2.4	14.0		53.6		9.90	
-SK61-6mm	6		4.8	16.0		57.7		11.50	
-SK61-8mm	8		6.4	18.0		61.0		13.10	
-SK61-10mm	10		7.9	22.0		63.7		16.25	
-SK61-12mm	12		9.5	24.0		71.0		19.50	
-SK61-15mm	15		11.9	27.0		72.5		22.80	
-SK61-16mm	16		12.7	27.0		72.5		22.80	
-SK61-18mm	18		15.1	30.0		78.9		26.00	
-SK61-20mm	20		15.9	35.0		84.5		29.00	
-SK61-25mm	25		21.8	40.0		96.0		33.70	

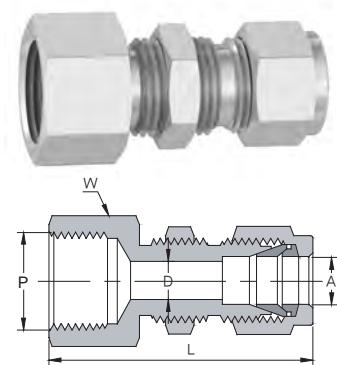
尺寸仅供参考，并随时可能改变。The size is only for reference and can be changed accordingly.

● -SK61型直通穿板接头 Bulkhead Union (in)



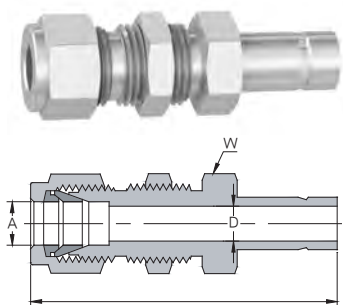
基本订货号 Order information	A		D		W		L		开孔尺寸	
	英寸 (in)	毫米 (mm)	英寸 (in)	毫米 (mm)	英寸 (in)	毫米 (mm)	英寸 (in)	毫米 (mm)	英寸 (in)	毫米 (mm)
-SK61-1	1/16	1.58	0.05	1.27	5/16	7.93	1.24	31.50	13/64	5.16
-SK61-2	1/8	3.17	0.09	2.28	1/2	12.70	2.02	51.30	21/64	8.33
-SK61-3	3/16	4.76	0.12	3.04	9/16	14.28	2.11	53.59	25/64	9.92
-SK61-4	1/4	6.35	0.19	4.82	5/8	15.87	2.27	57.65	29/64	11.50
-SK61-5	5/16	7.93	0.25	6.35	11/16	17.46	2.39	60.70	33/64	13.09
-SK61-6	3/8	9.52	0.28	7.11	3/4	19.05	2.45	62.20	37/64	14.68
-SK61-8	1/2	12.70	0.41	10.41	15/16	23.81	2.80	71.12	49/64	19.44
-SK61-10	5/8	15.87	0.50	12.70	11/16	26.98	2.86	72.64	57/64	22.62
-SK61-12	3/4	19.05	0.50	12.70	13/16	30.16	3.11	78.99	11/64	25.79
-SK61-16	1	25.40	0.88	22.35	15/8	41.27	3.77	95.76	121/64	33.73

● -SK71型内螺纹穿板接头 Bulkhead Female Connector (in)



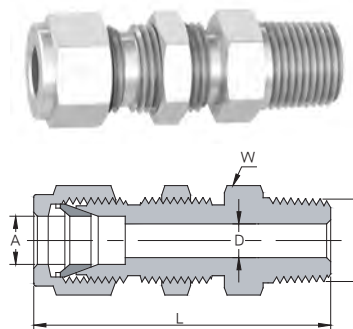
基本订货号 Order information	A		P (NPT)	D		W1		L		开孔尺寸	
	英寸 (in)	毫米 (mm)		英寸 (in)	毫米 (mm)	英寸 (in)	毫米 (mm)	英寸 (in)	毫米 (mm)	英寸 (in)	毫米 (mm)
-SK71-2-2	1/8	3.17	1/8	0.09	2.28	1/2	12.70	1.76	44.70	21/64	8.33
-SK71-4-2	1/4	6.35	1/8	0.19	4.82	5/8	15.87	1.85	46.99	29/64	11.50
-SK71-4-4	1/4	6.35	1/4	0.19	4.82	5/8	15.87	2.04	51.81	29/64	11.50
-SK71-6-4	3/8	9.52	1/4	0.28	7.11	3/4	19.05	2.17	55.11	37/64	14.68
-SK71-8-6	1/2	12.70	3/8	0.41	10.41	15/16	23.81	2.43	61.72	49/64	19.44
-SK71-8-8	1/2	12.70	1/2	0.41	10.41	15/16	23.81	2.62	66.54	49/64	19.44

● -SKR1型变径穿板接头 Bulkhead Reducer (in)



基本订货号 Order information	A		D		W		L		开孔尺寸	
	英寸 (in)	毫米 (mm)	英寸 (in)	毫米 (mm)	英寸 (in)	毫米 (mm)	英寸 (in)	毫米 (mm)	英寸 (in)	毫米 (mm)
-SKR1-2-2	1/8	3.17	0.08	2.03	1/2	12.70	1.95	49.53	21/64	8.33
-SKR1-4-4	1/4	6.35	0.19	4.82	5/8	15.87	2.19	55.62	29/64	11.50
-SKR1-6-6	3/8	9.52	0.28	7.11	3/4	19.05	2.42	61.46	37/64	14.68
-SKR1-8-8	1/2	12.70	0.39	9.90	15/16	23.81	2.87	72.89	49/64	19.44

● -SK11型外螺纹穿板接头 Bulkhead Male Connector (mm)



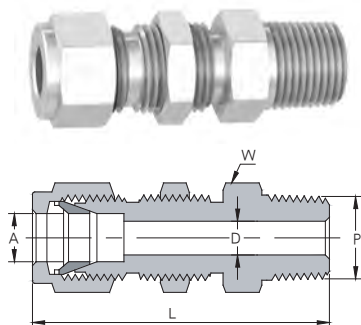
基本订货号 Order information	A		P (NPT)	D		W		L		开孔尺寸	
	毫米 (mm)			毫米 (mm)		毫米 (mm)		毫米 (mm)		毫米 (mm)	
-SK11-6mm-2	6		1/8	4.8		16.0		49.6		11.5	
-SK11-6mm-4	6		1/4	4.8		16.0		53.4		11.5	
-SK11-12mm-8	12		1/2	9.5		24.0		68.1		19.5	

尺寸仅供参考，并随时可能改变。The size is only for reference and can be changed accordingly.

XYG-SK(LOK)系列双卡套管接头

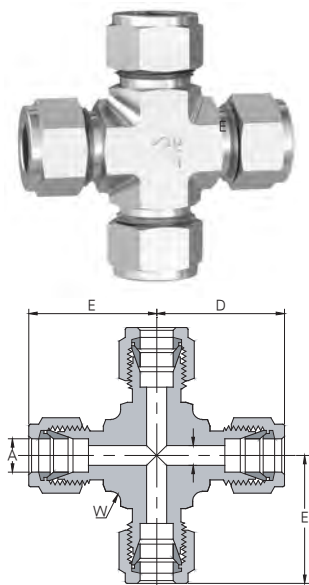
XYG – SK(LOK) Tube Fittings With Double Furrules

● -SK11型外螺纹穿板接头 Bulkhead Male Connector (in)



基本订货号 Order information	A		P (NPT)	D		W1		L		开孔尺寸	
	英寸 (in)	毫米 (mm)		英寸 (in)	毫米 (mm)	英寸 (in)	毫米 (mm)	英寸 (in)	毫米 (mm)	英寸 (in)	毫米 (mm)
-SK11-2-2	1/8	3.17	1/8	0.09	2.28	1/2	12.70	1.83	46.48	21/64	8.33
-SK11-4-2	1/4	6.35	1/8	0.19	4.82	5/8	15.87	1.95	49.53	29/64	11.50
-SK11-4-4	1/4	6.35	1/4	0.19	4.82	5/8	15.87	2.10	53.34	29/64	11.50
-SK11-6-4	3/8	9.52	1/4	0.28	7.11	3/4	19.05	2.26	57.40	37/64	14.68
-SK11-8-6	1/2	12.70	3/8	0.37	9.40	15/16	23.81	2.49	63.25	49/64	19.44
-SK11-8-8	1/2	12.70	1/2	0.41	10.41	15/16	23.81	2.71	68.83	49/64	19.44

● -SK4型四通中间接头 Union Cross (mm)



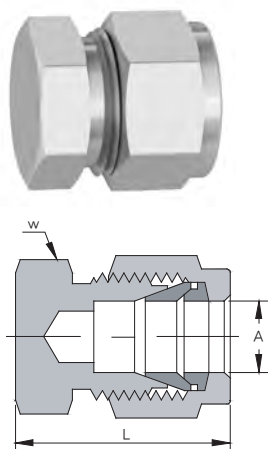
基本订货号 Order information	A 毫米 (mm)	D 毫米 (mm)	W 毫米 (mm)	E 毫米 (mm)
-SK4-3mm	3	2.4	9.5	22.3
-SK4-6mm	6	4.8	12.7	27.0
-SK4-8mm	8	6.4	15.9	29.9
-SK4-10mm	10	7.9	20.6	33.5
-SK4-12mm	12	9.5	20.6	36.0
-SK4-16mm	16	12.7	23.8	37.0
-SK4-18mm	18	15.1	27.0	38.3
-SK4-20mm	20	15.9	34.9	44.6

● -SK4型四通中间接头 Union Cross (in)

基本订货号 Order information	A		D		L		J	
	英寸 (in)	毫米 (mm)	英寸 (in)	毫米 (mm)	英寸 (in)	毫米 (mm)	英寸 (in)	毫米 (mm)
-SK4-2	1/8	3.17	0.09	2.28	3/8	9.52	0.88	22.35
-SK4-4	1/4	6.35	0.19	4.82	1/2	12.70	1.07	27.18
-SK4-5	5/16	7.93	0.25	6.35	5/8	15.87	1.17	29.71
-SK4-6	3/8	9.52	0.28	7.11	5/8	15.87	1.20	30.48
-SK4-8	1/2	12.70	0.41	10.41	13/16	20.63	1.42	36.07
-SK4-12	3/4	19.05	0.62	15.74	11/16	26.98	1.57	39.98
-SK4-16	1	25.40	0.88	22.35	13/8	34.90	1.93	49.02

尺寸仅参考，并随时可能改变。The size is only for reference and can be changed accordingly.

● -SKC型管堵 Cap (mm)

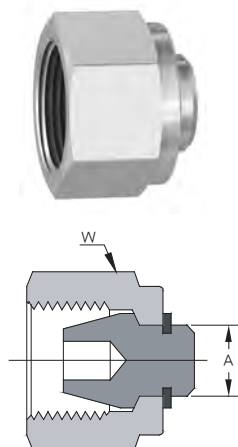


基本订货号 Order information	A 毫米 (mm)	W 毫米 (mm)	L 毫米 (mm)
-SKC-2mm	2	12	20.1
-SKC-3mm	3	12	20.1
-SKC-4mm	4	12	21.3
-SKC-6mm	6	14	23.1
-SKC-8mm	8	15	24.6
-SKC-10mm	10	18	26.6
-SKC-12mm	12	22	29.1
-SKC-15mm	15	24	29.9
-SKC-16mm	16	24	29.9
-SKC-18mm	18	27	31.4
-SKC-20mm	20	30	34.0
-SKC-22mm	22	30	34.0
-SKC-25mm	25	35	38.5

● -SKC型管堵 Cap (in)

基本订货号 Order information	A		W		L	
	英寸 (in)	毫米 (mm)	英寸 (in)	毫米 (mm)	英寸 (in)	毫米 (mm)
-SKC-1	1/16	1.58	5/16	7.93	0.59	14.98
-SKC-2	1/8	3.17	7/16	11.11	0.79	20.06
-SKC-3	3/16	4.76	7/16	11.11	0.84	21.84
-SKC-4	1/4	6.35	1/2	12.70	0.91	23.11
-SKC-5	5/16	7.93	9/16	14.28	0.96	24.38
-SKC-6	3/8	9.52	5/8	15.87	1.01	26.65
-SKC-8	1/2	12.70	13/16	20.63	1.15	29.21
-SKC-10	5/8	15.87	15/16	23.81	1.18	29.97
-SKC-12	3/4	19.05	11/16	26.98	1.24	31.49
-SKC-14	7/8	22.22	13/16	30.16	1.34	34.04
-SKC-16	1	25.40	13/8	34.92	1.51	38.35

● -SKP型堵头 Plug (mm)



基本订货号 Order information	A		W	
	毫米 (mm)	英寸 (in)	毫米 (mm)	英寸 (in)
-SKP-3mm	3	-	12	-
-SKP-4mm	4	-	12	-
-SKP-6mm	6	9/16	14	-
-SKP-8mm	8	5/8	16	-
-SKP-10mm	10	3/4	19	-
-SKP-12mm	12	7/8	22	-
-SKP-15mm	15	1	25	-
-SKP-16mm	16	13/16	25	-
-SKP-18mm	18	11/4	30	-
-SKP-20mm	20	11/4	32	-
-SKP-22mm	22	-	32	-
-SKP-25mm	25	-	38	-

● -SKP型堵头 Plug (in)

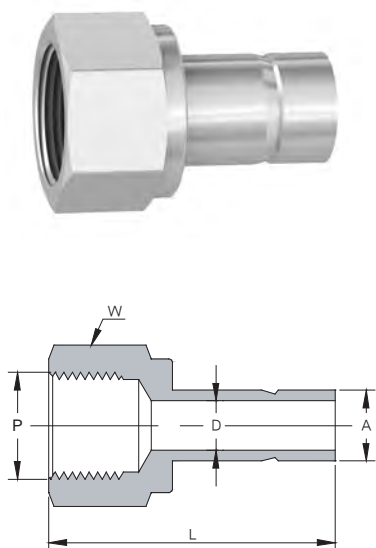
基本订货号 Order information	A		W	
	英寸 (in)	毫米 (mm)	英寸 (in)	毫米 (mm)
-SKP-1	1/16	1.58	5/16	7.93
-SKP-2	1/8	3.17	7/16	11.11
-SKP-3	3/16	4.76	1/2	12.70
-SKP-4	1/4	6.35	9/16	14.28
-SKP-5	5/16	7.93	5/8	15.87
-SKP-6	3/8	9.52	11/16	17.46
-SKP-8	1/2	12.70	7/8	22.22
-SKP-10	5/8	15.87	1	25.40
-SKP-12	3/4	19.05	11/8	28.57
-SKP-16	1	25.40	11/2	38.10

尺寸仅供参考，并随时可能改变。The size is only for reference and can be changed accordingly.

XYG-SK(LOK)系列双卡套管接头

XYG – SK(LOK) Tube Fittings With Double Furrules

● -SKAF型内螺纹转换接头 Female Adapter (mm)



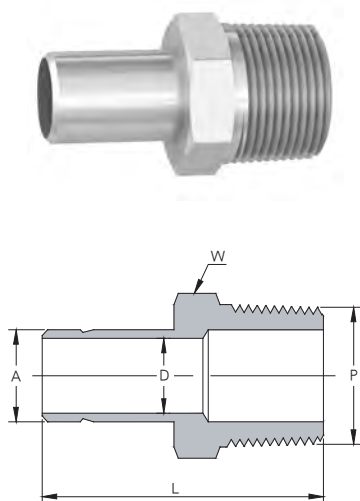
基本订货号 Order information	A		P (NPT)	D		W		L	
	毫米 (mm)			毫米 (mm)	英寸 (in)	毫米 (mm)	英寸 (in)	毫米 (mm)	英寸 (in)
-SKAF-3mm-2	3		1/8	1.8	9/16	14		21.6	
-SKAF-3mm-4	3		1/4	1.8	3/4	19		34.1	
-SKAF-4mm-2	4		1/8	2.4	9/16	14		32.0	
-SKAF-4mm-4	4		1/4	2.4	3/4	19		34.8	
-SKAF-6mm-2	6		1/8	4.6	9/16	14		32.5	
-SKAF-6mm-4	6		1/4	4.6	3/4	19		37.1	
-SKAF-6mm-6	6		3/8	4.6	7/8	22		39.6	
-SKAF-6mm-8	6		1/2	4.6	11/16	27		37.1	
-SKAF-8mm-2	8		1/8	6.4	9/16	14		34.3	
-SKAF-8mm-4	8		1/4	6.4	3/4	19		37.6	
-SKAF-10mm-2	10		1/8	7.1	9/16	14		35.3	
-SKAF-10mm-4	10		1/4	7.7	3/4	19		38.1	
-SKAF-10mm-6	10		3/8	7.7	7/8	22		40.1	
-SKAF-10mm-8	10		1/2	7.7	11/16	27		46.5	
-SKAF-12mm-4	12		1/4	9.1	3/4	19		43.7	
-SKAF-12mm-6	12		3/8	9.5	7/8	22		46.7	
-SKAF-12mm-8	12		1/2	9.1	11/16	27		52.3	
-SKAF-16mm-6	16		3/8	12.7	7/8	22		48.3	
-SKAF-16mm-8	16		1/2	12.7	11/16	27		53.9	
-SKAF-16mm-12	16		3/4	12.7	11/4	32		55.4	
-SKAF-20mm-8	20		1/2	15.1	11/16	27		53.9	
-SKAF-20mm-12	20		3/4	15.1	11/4	32		55.4	
-SKAF-20mm-16	20		1	15.1	15/8	41		62.5	

● -SKAF型内螺纹转换接头 Female Adapter (in)

基本订货号 Order information	A		P (NPT)	D		W		L	
	英寸 (in)	毫米 (mm)		英寸 (in)	毫米 (mm)	英寸 (in)	毫米 (mm)	英寸 (in)	毫米 (mm)
-SKAF-2-2	1/8	3.17	1/8	0.09	2.28	9/16	14.28	1.24	31.50
-SKAF-2-4	1/8	3.17	1/4	0.09	2.28	1/4	19.05	1.39	35.30
-SKAF-3-2	3/16	4.76	1/8	0.12	3.04	9/16	14.28	1.26	32.00
-SKAF-3-4	3/16	4.76	1/4	0.12	3.04	1/4	19.05	1.41	35.80
-SKAF-4-2	1/4	6.35	1/8	0.19	4.82	9/16	14.28	1.30	33.02
-SKAF-4-4	1/4	6.35	1/4	0.19	4.82	1/4	19.05	1.46	37.08
-SKAF-4-6	1/4	6.35	3/8	0.19	4.82	7/8	22.22	1.55	39.37
-SKAF-4-8	1/4	6.35	1/2	0.19	4.82	11/16	26.98	1.79	45.46
-SKAF-5-2	5/16	7.93	1/8	0.25	6.35	9/16	14.28	1.35	34.29
-SKAF-5-4	5/16	7.93	1/4	0.25	6.35	1/4	19.05	1.48	37.60
-SKAF-6-2	3/8	9.52	1/8	0.28	7.11	9/16	14.28	1.35	34.30
-SKAF-6-4	3/8	9.52	1/4	0.28	7.11	1/4	19.05	1.50	38.10
-SKAF-6-6	3/8	9.52	3/8	0.28	7.11	7/8	22.22	1.59	40.40
-SKAF-6-8	3/8	9.52	1/2	0.28	7.11	11/16	26.98	1.84	46.73
-SKAF-8-4	1/2	12.70	1/4	0.39	9.90	1/4	19.05	1.71	43.43
-SKAF-8-6	1/2	12.70	3/8	0.39	9.90	7/8	22.22	1.79	45.47
-SKAF-8-8	1/2	12.70	1/2	0.39	9.90	11/16	26.98	2.04	51.82
-SKAF-10-6	5/8	15.87	3/8	0.50	12.70	7/8	22.22	1.90	48.26
-SKAF-10-8	5/8	15.87	1/2	0.50	12.70	11/16	26.98	2.09	53.08
-SKAF-10-12	5/8	15.87	3/4	0.50	12.70	11/4	31.75	2.18	55.37
-SKAF-12-8	3/4	19.05	1/2	0.59	14.98	11/16	26.98	2.08	52.80
-SKAF-12-12	3/4	19.05	3/4	0.59	14.98	15/16	31.75	2.16	54.86
-SKAF-12-16	3/4	19.05	1	0.59	14.98	15/16	41.27	2.30	58.42

尺寸仅参考，并随时可能改变。The size is only for reference and can be changed accordingly.

● -SKAM型外螺纹转换接头 Male Adapter (mm)



基本订货号 Order information	A 毫米 (mm)	P (NPT)	D 英寸 (in)	W 毫米 (mm)	L 毫米 (mm)
-SKAM-3mm-2	3	1/8	1.8	11	28.5
-SKAM-3mm-4	3	1/4	1.8	14	33.3
-SKAM-4mm-2	4	1/8	2.4	11	29.2
-SKAM-4mm-4	4	1/4	2.4	14	34.0
-SKAM-6mm-2	6	1/8	4.6	11	32.8
-SKAM-6mm-4	6	1/4	4.6	14	38.1
-SKAM-6mm-6	6	3/8	4.6	17	36.3
-SKAM-6mm-8	6	1/2	4.6	22	41.9
-SKAM-8mm-2	8	1/8	6.4	11	31.8
-SKAM-8mm-4	8	1/4	6.4	14	39.1
-SKAM-10mm-2	10	1/8	7.1	11	33.3
-SKAM-10mm-4	10	1/4	7.1	14	39.9
-SKAM-10mm-6	10	3/8	7.7	17	40.6
-SKAM-10mm-8	10	1/2	7.7	22	46.2
-SKAM-12mm-4	12	1/4	7.1	14	46.5
-SKAM-12mm-6	12	3/8	9.5	17	44.5
-SKAM-12mm-8	12	1/2	9.1	22	52.0
-SKAM-16mm-6	16	3/8	12.7	17	46.0
-SKAM-16mm-8	16	1/2	12.7	22	50.1
-SKAM-16mm-12	16	3/4	12.7	27	51.6
-SKAM-20mm-8	20	1/2	15.1	22	50.8
-SKAM-20mm-12	20	3/4	15.1	27	51.6
-SKAM-20mm-16	20	1	15.1	35	57.9

● -SKAM型外螺纹转换接头 Male Adapter (in)

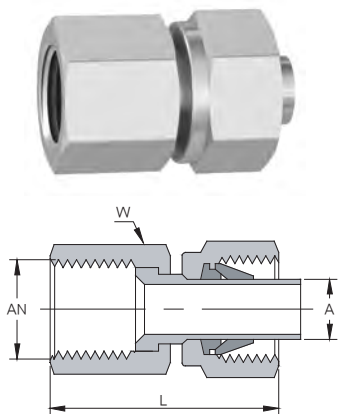
基本订货号 Order information	A		P (NPT)	D		W		L	
	英寸 (in)	毫米 (mm)		英寸 (in)	毫米 (mm)	英寸 (in)	毫米 (mm)	英寸 (in)	毫米 (mm)
-SKAM-2-2	1/8	3.17	1/8	0.09	2.28	7/16	11.11	1.16	29.46
-SKAM-2-4	1/8	3.17	1/4	0.09	2.28	9/16	14.28	1.37	34.80
-SKAM-3-2	3/16	4.76	1/8	0.12	3.04	7/16	11.11	1.19	30.22
-SKAM-3-4	3/16	4.76	1/4	0.12	3.04	9/16	14.28	1.40	35.56
-SKAM-4-2	1/4	6.35	1/8	0.19	4.82	7/16	11.11	1.25	31.75
-SKAM-4-4	1/4	6.35	1/4	0.19	4.82	9/16	14.28	1.46	37.08
-SKAM-4-6	1/4	6.35	3/8	0.19	4.82	11/16	17.46	1.49	37.85
-SKAM-4-8	1/4	6.35	1/2	0.19	4.82	7/8	22.22	1.71	43.43
-SKAM-5-2	5/16	7.93	1/8	0.25	6.35	7/16	11.11	1.29	32.76
-SKAM-5-4	5/16	7.93	1/4	0.25	6.35	9/16	14.28	1.50	38.10
-SKAM-6-2	3/8	9.52	1/8	0.28	7.11	7/16	11.11	1.32	33.53
-SKAM-6-4	3/8	9.52	1/4	0.28	7.11	9/16	14.28	1.53	38.86
-SKAM-6-6	3/8	9.52	3/8	0.28	7.11	11/16	17.46	1.56	39.62
-SKAM-6-8	3/8	9.52	1/2	0.28	7.11	7/8	22.22	1.78	45.21
-SKAM-8-4	1/2	12.70	1/4	0.39	9.90	9/16	14.28	1.75	44.45
-SKAM-8-6	1/2	12.70	3/8	0.39	9.90	11/16	17.46	1.78	45.21
-SKAM-8-8	1/2	12.70	1/2	0.39	9.90	7/8	22.22	2.00	50.80
-SKAM-10-6	5/8	15.87	3/8	0.50	12.70	11/16	17.46	1.81	45.97
-SKAM-10-8	5/8	15.87	1/2	0.50	12.70	7/8	22.22	2.06	52.34
-SKAM-10-12	5/8	15.87	3/4	0.50	12.70	11/16	26.98	2.06	52.32
-SKAM-12-8	3/4	19.05	1/2	0.59	14.98	7/8	22.22	2.06	52.32
-SKAM-12-12	3/4	19.05	3/4	0.59	14.98	11/16	26.98	2.06	52.32
-SKAM-12-16	3/4	19.05	1	0.59	14.98	13/8	34.92	2.28	57.91

尺寸仅供参考，并随时可能改变。The size is only for reference and can be changed accordingly.

XYG-SK(LOK)系列双卡套管接头

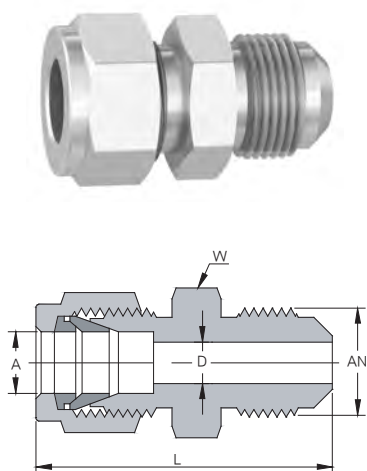
XYG – SK(LOK) Tube Fittings With Double Furrules

● -SKA-ANF型转换接头 Adapter (in)



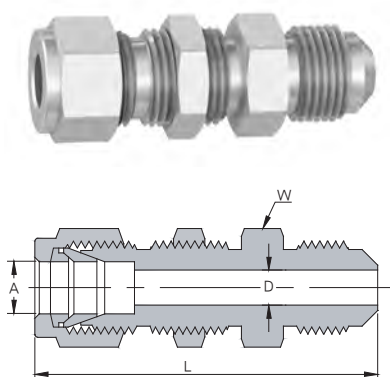
基本订货号 Order information	A		AN		W		L	
	英寸 (in)	毫米 (mm)	英寸 (in)	毫米 (mm)	英寸 (in)	毫米 (mm)	英寸 (in)	毫米 (mm)
-SKA-ANF-2-2	1/8	3.17	1/8	3.17	3/8	9.52	1.07	27.17
-SKA-ANF-2-4	1/8	3.17	1/4	6.35	9/16	14.28	1.15	29.21
-SKA-ANF-4-4	1/4	6.35	1/4	6.35	9/16	14.28	1.24	31.50
-SKA-ANF-6-6	3/8	9.52	3/8	9.52	11/16	17.46	1.41	35.81
-SKA-ANF-8-8	1/2	12.70	1/2	12.70	7/8	22.22	1.76	44.70

● -SKA-ANM型转换接头 Adapter (in)



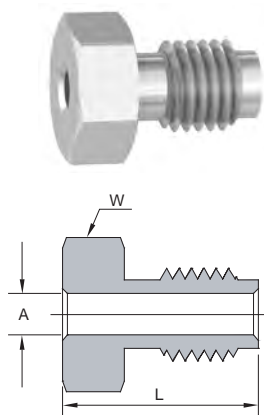
基本订货号 Order information	A		AN		D		W		L	
	英寸 (in)	毫米 (mm)	英寸 (in)	毫米 (mm)	英寸 (in)	毫米 (mm)	英寸 (in)	毫米 (mm)	英寸 (in)	毫米 (mm)
-SKA-ANM-1-2	1/16	1.58	1/8	3.17	0.05	1.27	7/16	11.11	1.07	27.18
-SKA-ANM-2-2	1/8	3.17	1/8	3.17	0.06	1.52	7/16	11.11	1.27	32.26
-SKA-ANM-2-4	1/8	3.17	1/4	6.35	0.09	2.28	1/2	12.70	1.38	35.05
-SKA-ANM-4-4	1/4	6.35	1/4	6.35	0.17	4.31	1/2	12.70	1.48	37.59
-SKA-ANM-6-4	3/8	9.52	1/4	6.35	0.17	4.31	5/8	15.87	1.56	39.62
-SKA-ANM-6-6	3/8	9.52	3/8	9.52	0.28	7.11	5/8	15.87	1.56	39.62
-SKA-ANM-8-8	1/2	12.70	1/2	12.70	0.39	9.90	13/16	20.63	1.80	45.72
-SKA-ANM-12-12	3/4	19.05	3/4	19.05	0.61	15.49	11/8	28.57	2.10	53.34
-SKA-ANM-16-16	1	25.40	1	25.40	0.84	21.34	13/8	34.92	2.42	61.47

● -SK61-ANM型直通穿板转换接头 Let-Lok Bulkhead union (in)



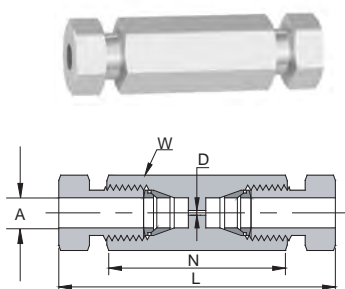
基本订货号 Order information	A		AN		D		W		L	
	英寸 (in)	毫米 (mm)	英寸 (in)	毫米 (mm)	英寸 (in)	毫米 (mm)	英寸 (in)	毫米 (mm)	英寸 (in)	毫米 (mm)
-SK61-ANM-4-4	1/4	6.35	1/4	6.35	0.19	4.82	5/8	15.87	2.12	53.84
-SK61-ANM-6-6	3/8	9.52	3/8	9.52	0.28	7.11	3/4	19.05	2.25	57.15
-SK61-ANM-8-8	1/2	12.70	1/2	12.70	0.39	9.90	15/16	23.81	2.59	65.79
-SK61-ANM-12-12	3/4	19.05	3/4	19.05	0.61	12.49	13/16	30.16	3.11	78.99
-SK61-ANM-16-16	1	25.40	1	25.40	0.84	21.33	15/8	41.27	3.64	92.46

尺寸仅供参考，并随时可能改变。The size is only for reference and can be changed accordingly.



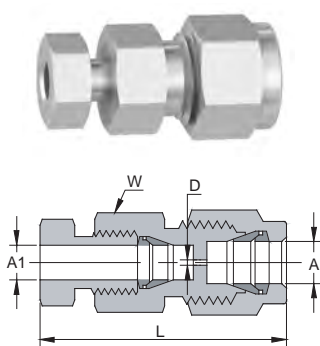
● -SKM型外螺纹 Male (in)

基本订货号 Order information	A		W		L	
	英寸 (in)	毫米 (mm)	英寸 (in)	毫米 (mm)	英寸 (in)	毫米 (mm)
-SKM-1	1/16	1.58	1/4	6.35	3/8	9.52



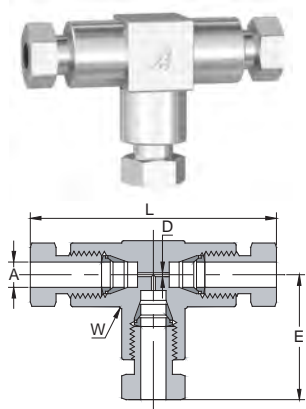
● -SK6F型内卡式直通中间 Union (in)

基本订货号 Order information	A		D		W		N		L	
	英寸 (in)	毫米 (mm)	英寸 (in)	毫米 (mm)	英寸 (in)	毫米 (mm)	英寸 (in)	毫米 (mm)	英寸 (in)	毫米 (mm)
-SK6F-1	1/16	1.58	0.013	0.33	1/4	6.35	0.84	21.34	1.25	31.75



● -SKRF型变径中间接头 Reducing Union (in)

基本订货号 Order information	A		A1		D		W		L	
	英寸 (in)	毫米 (mm)	英寸 (in)	毫米 (mm)	英寸 (in)	毫米 (mm)	英寸 (in)	毫米 (mm)	英寸 (in)	毫米 (mm)
-SKRF-4-1	1/4	6.35	1/16	1.58	0.013	0.33	1/2	12.70	1.24	31.50
-SKRF-6-1	3/8	9.52	1/16	1.58	0.013	0.33	5/8	15.87	1.30	33.02



● -SK3F型内卡式三通中间 Union Tee (in)

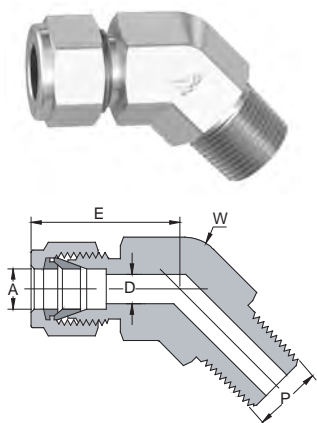
基本订货号 Order information	A		D		W		E		L	
	英寸 (in)	毫米 (mm)	英寸 (in)	毫米 (mm)	英寸 (in)	毫米 (mm)	英寸 (in)	毫米 (mm)	英寸 (in)	毫米 (mm)
-SK3F-1	1/16	1.58	0.013	0.33	5/16	7.93	0.65	16.51	1.30	33.02

尺寸仅供参考，并随时可能改变。The size is only for reference and can be changed accordingly.

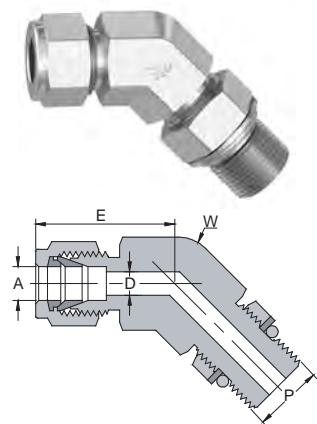
XYG-SK(LOK)系列双卡套管接头

XYG – SK(LOK) Tube Fittings With Double Furrules

● -SK51(NPT)型45° 弯通接头 Male Elbow

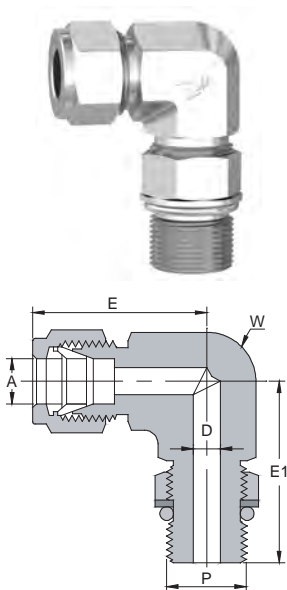


基本订货号 Order information	A		P (NPT)	D		W		E	
	英寸 (in)	毫米 (mm)		英寸 (in)	毫米 (mm)	英寸 (in)	毫米 (mm)	英寸 (in)	毫米 (mm)
-SK51-4-2	1/4	6.35	1/8	0.19	4.8	0.56	14.2	0.97	24.6
-SK51-4-4	1/4	6.35	1/4	0.19	4.8	0.56	14.2	0.97	24.6
-SK51-6-2	3/8	9.52	1/8	0.19	4.8	0.68	17.4	1.10	27.9
-SK51-6-4	3/8	9.52	1/4	0.28	7.1	0.68	17.4	1.10	27.9
-SK51-6-6	3/8	9.52	3/8	0.28	7.1	0.68	17.4	1.15	29.2
-SK51-8-6	1/2	12.70	3/8	0.38	9.6	0.94	23.8	1.26	32.0
-SK51-8-8	1/2	12.70	1/2	0.41	10.4	0.94	23.8	1.26	32.0
-SK51-10-8	5/8	15.87	1/2	0.41	10.4	1.06	27.0	1.30	33.0
-SK51-12-12	3/4	19.05	3/4	0.62	15.7	1.06	27.0	1.33	33.8
-SK51-16-16	1	25.40	1	0.88	22.3	1.30	33.0	1.59	40.4



● -SK5ST(UN)型可定位45° 弯通接头 Male Elbow

基本订货号 Order information	A		P (UN)	D		W		E	
	英寸 (in)	毫米 (mm)		英寸 (in)	毫米 (mm)	英寸 (in)	毫米 (mm)	英寸 (in)	毫米 (mm)
-SK5ST-4-7/16-20	1/4	6.35	7/16-20	0.19	4.8	0.50	12.7	1.12	28.5
-SK5ST-6-9/16-18	3/8	9.52	9/16-18	0.28	7.1	0.68	17.4	1.26	32.0
-SK5ST-8-3/4-16	1/2	12.70	3/4-16	0.41	10.4	0.94	23.8	1.48	37.6
-SK5ST-10-11/16-12	5/8	15.87	11/16-12	0.50	12.7	1.06	27.0	1.56	39.6
-SK5ST-12-11/16-12	3/4	19.05	11/16-12	0.62	15.7	1.06	27.0	1.63	41.4
-SK5ST-14-13/16-12	7/8	22.22	13/16-12	0.72	18.2	1.30	33.0	1.70	43.2
-SK5ST-16-15/16-12	1	25.40	15/16-12	0.88	22.3	1.30	33.0	1.99	50.6

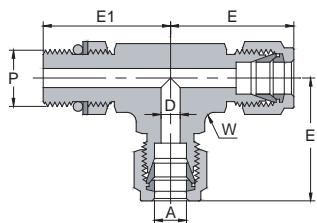


● -SK2ST(UN)型可定位90° 弯通接头 Male Elbow

基本订货号 Order information	A		P (UN)	D		W		E		E1	
	英寸 (in)	毫米 (mm)		英寸 (in)	毫米 (mm)	英寸 (in)	毫米 (mm)	英寸 (in)	毫米 (mm)	英寸 (in)	毫米 (mm)
-SK2ST-4-7/16-20	1/4	6.35	7/16-20	0.19	4.8	0.50	12.70	1.12	28.5	1.12	28.50
-SK2ST-4-9/16-18	1/4	6.35	9/16-18	0.19	4.8	0.68	17.40	1.20	30.5	1.20	30.50
-SK2ST-5-1/2-20	5/16	7.93	1/2-20	0.25	6.3	0.56	14.20	1.19	30.4	1.16	29.50
-SK2ST-6-7/16-20	3/8	9.52	7/16-20	0.20	5.1	0.68	17.40	1.26	32.0	1.25	31.75
-SK2ST-6-9/16-18	3/8	9.52	9/16-18	0.28	7.1	0.68	17.40	1.26	32.0	1.26	32.00
-SK2ST-6-3/4-16	3/8	9.52	3/4-16	0.28	7.1	0.82	20.80	1.37	34.8	1.45	36.80
-SK2ST-8-9/16-18	1/2	12.40	9/16-18	0.28	7.1	0.82	20.80	1.48	37.6	1.30	33.00
-SK2ST-8-3/4-16	1/2	12.70	3/4-16	0.41	10.4	0.94	23.80	1.48	37.6	1.46	37.10
-SK2ST-10-7/8-14	5/8	15.87	7/8-14	0.50	12.7	0.94	23.80	1.56	39.6	1.80	45.70
-SK2ST-12-11/16-12	3/4	19.05	11/16-12	0.62	15.7	1.06	27.00	1.63	41.4	1.92	48.80
-SK2ST-14-13/16-12	7/8	22.22	13/16-12	0.72	18.2	1.30	33.00	1.70	43.2	2.00	50.80
-SK2ST-16-15/16-12	1	25.40	15/16-12	0.88	22.3	1.30	33.00	1.99	50.6	2.11	53.60

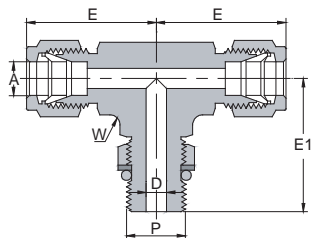
尺寸仅供参考，并随时可能改变。The size is only for reference and can be changed accordingly.

● -SKTRT(ISO/BSP)型可定位侧三通接头 Male Run Tee



基本订货号 Order information	A		P ISO/BSP	D		W		E		E1	
	英寸 (in)	毫米 (mm)		英寸 (in)	毫米 (mm)	英寸 (in)	毫米 (mm)	英寸 (in)	毫米 (mm)	英寸 (in)	毫米 (mm)
-SKTTR-4-2	1/4	6.35	1/8	0.16	4.1	0.50	12.70	1.06	26.9	1.04	26.4
-SKTTR-4-4	1/4	6.35	1/4	0.19	4.8	0.68	17.40	1.14	28.9	1.27	32.3
-SKTTR-6-4	3/8	9.52	1/4	0.23	5.8	0.56	14.20	1.20	30.5	1.27	32.3
-SKTTR-6-6	3/8	9.52	3/8	0.28	7.1	0.68	17.40	1.31	33.3	1.42	36.0
-SKTTR-8-4	1/2	12.70	1/4	0.23	5.8	0.68	17.40	1.42	36.0	1.40	35.6
-SKTTR-8-6	1/2	12.70	3/8	0.31	7.8	0.82	20.80	1.42	36.0	1.40	37.0
-SKTTR-8-8	1/2	12.70	1/2	0.41	10.4	0.82	20.80	1.50	38.1	1.71	43.4
-SKTTR-10-8	5/8	15.87	1/2	0.47	11.9	0.94	23.80	1.50	38.1	1.71	43.4
-SKTTR-12-8	3/4	19.05	1/2	0.47	11.9	0.94	23.80	1.57	39.9	1.78	45.2
-SKTTR-12-12	3/4	19.05	3/4	0.62	15.7	1.06	27.00	1.57	39.9	1.92	48.8
-SKTTR-16-12	1	25.40	3/4	0.62	15.7	1.30	33.00	1.93	49.0	2.02	51.3
-SKTTR-16-16	1	25.40	1	0.78	19.8	1.30	33.0	1.93	49.0	2.11	53.6

● -SKTTS(UN)型可定位支管三通接头 Male Branch Tee



基本订货号 Order information	A		P UN	D		W		E		E1	
	英寸 (in)	毫米 (mm)		英寸 (in)	毫米 (mm)	英寸 (in)	毫米 (mm)	英寸 (in)	毫米 (mm)	英寸 (in)	毫米 (mm)
-SKTTS-4-7/16-20	1/4	6.35	7/16-20	0.19	4.8	0.50	12.7	1.12	28.5	1.12	28.50
-SKTTS-4-9/16-18	1/4	6.35	9/16-18	0.19	4.8	0.68	17.4	1.20	30.5	1.20	30.50
-SKTTS-5-1/2-20	5/16	7.93	1/2-20	0.23	5.8	0.56	14.2	1.19	30.4	1.16	29.50
-SKTTS-6-7/16-20	3/8	9.52	7/16-20	0.20	5.1	0.68	17.4	1.26	32.0	1.25	31.75
-SKTTS-6-9/16-18	3/8	9.52	9/16-18	0.28	7.1	0.68	17.4	1.26	32.0	1.26	32.00
-SKTTS-6-3/4-16	3/8	9.52	3/4-16	0.28	7.1	0.82	20.8	1.37	34.8	1.45	36.80
-SKTTS-8-9/16-18	1/2	12.40	9/16-18	0.28	7.1	0.82	20.8	1.48	37.6	1.30	33.00
-SKTTS-8-3/4-16	1/2	12.70	3/4-16	0.41	10.4	0.94	23.8	1.48	37.6	1.46	37.10
-SKTTS-10-7/8-14	5/8	15.87	7/8-14	0.50	12.7	0.94	23.8	1.56	39.6	1.80	45.70
-SKTTS-12-11/16-12	3/4	19.05	11/16-12	0.62	15.7	1.06	27.0	1.63	41.4	1.92	48.80
-SKTTS-14-13/16-12	7/8	22.22	13/16-12	0.72	18.2	1.30	33.0	1.70	43.2	2.00	50.80
-SKTTS-16-15/16-12	1	25.40	15/16-12	0.88	22.3	1.30	33.0	1.99	50.6	2.11	53.60

● -SKTTR(ISO/BSP)型可定位支管三通接头 Male Branch Tee

基本订货号 Order information	A		P ISO/BSP	D		W		E		E1	
	英寸 (in)	毫米 (mm)		英寸 (in)	毫米 (mm)	英寸 (in)	毫米 (mm)	英寸 (in)	毫米 (mm)	英寸 (in)	毫米 (mm)
-SKTTR-4-2	1/4	6.35	1/8	0.16	4.1	0.50	12.7	1.06	26.9	1.04	26.4
-SKTTR-4-4	1/4	6.35	1/4	0.19	4.8	0.68	17.4	1.14	28.9	1.27	32.3
-SKTTR-6-4	3/8	9.52	1/4	0.23	5.8	0.68	17.4	1.20	30.5	1.27	32.3
-SKTTR-6-6	3/8	9.52	3/8	0.28	7.1	0.82	20.8	1.31	33.3	1.42	36.0
-SKTTR-8-4	1/2	12.70	1/4	0.23	5.8	0.82	20.8	1.42	36.0	1.40	35.6
-SKTTR-8-6	1/2	12.70	3/8	0.31	7.8	0.82	20.8	1.42	36.0	1.40	37.0
-SKTTR-8-8	1/2	12.70	1/2	0.41	10.4	0.94	23.8	1.50	38.1	1.71	43.4
-SKTTR-10-8	5/8	15.87	1/2	0.47	11.9	0.94	23.8	1.50	38.1	1.71	43.4
-SKTTR-12-8	3/4	19.05	1/2	0.47	11.9	1.06	27.0	1.57	39.9	1.78	45.2
-SKTTR-12-12	3/4	19.05	3/4	0.62	15.7	1.06	27.0	1.57	39.9	1.92	48.8
-SKTTR-16-12	1	25.40	3/4	0.62	15.7	1.30	33.0	1.93	49.0	2.02	51.3
-SKTTR-16-16	1	25.40	1	0.78	19.8	1.49	38.0	1.93	49.0	2.11	53.6

尺寸仅参考，并随时可能改变。The size is only for reference and can be changed accordingly.

XYG-SK(LOK)系列双卡套管接头

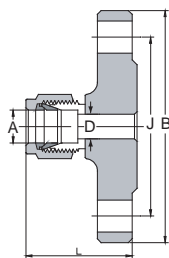


XYG – SK(LOK) Tube Fittings With Double Furrules

● -SK-FW型法兰接头 Flange Adapter (ANSI法兰)



基本订货号 Order information	A		DN	Class	L		B		D		J	
	(in)	(in)			英寸 (in)	毫米 (mm)	英寸 (in)	毫米 (mm)	英寸 (in)	毫米 (mm)	英寸 (in)	毫米 (mm)
-SK-FW-4-8	1/4	1/2	150		1.61	40.89	3.50	88.90	0.19	4.83	2.38	60.45
-SK-FW-6-8	3/8	1/2	300		1.79	45.47	3.75	95.25	0.28	7.11	2.62	66.55
-SK-FW-8-8	1/2	1/2	150		1.78	45.21	3.50	88.90	0.41	10.41	2.38	60.45
-SK-FW-8-16	1/2	1	150		1.90	48.26	4.25	107.95	0.41	10.41	3.12	79.25
-SK-FW-8-32	1/2	2	150		2.09	53.09	6.00	152.40	0.41	10.41	4.75	120.65
-SK-FW-12-16	3/4	1	150		1.98	50.29	4.25	107.95	0.62	15.75	3.12	79.25
-SK-FW-16-16	1	1	150		2.38	60.45	4.25	107.95	0.88	22.35	3.12	79.25

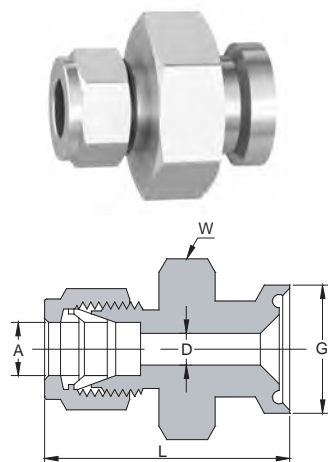


● -SK-FW型法兰接头 Flange Adapter (DIN法兰)

基本订货号 Order information	A		DN	PN	L		B		D		J	
	(mm)	(in)			英寸 (in)	毫米 (mm)	英寸 (in)	毫米 (mm)	英寸 (in)	毫米 (mm)	英寸 (in)	毫米 (mm)
-SK-FW-6mm-16	6	1	4.0		1.87	47.5	4.53	115	0.19	4.8	3.35	85.0
-SK-FW-12mm-8	12	1/2	4.0		1.91	48.5	3.74	95	0.37	9.5	2.56	65.0
-SK-FW-12mm-16	12	1	4.0		1.99	50.5	4.53	115	0.37	9.5	3.35	85.0
-SK-FW-12mm-32	12	2	4.0		2.18	55.3	6.50	165	0.37	9.5	4.92	125.0
-SK-FW-18mm-8	18	1/2	4.0		2.04	51.8	3.74	95	0.06	1.51	2.56	65.0
-SK-FW-18mm-16	18	1	4.0		2.12	53.8	4.53	115	0.06	1.51	3.35	85.0
-SK-FW-25mm-16	25	1	4.0		2.52	64.0	4.53	115	0.86	21.8	3.35	85.0

● -SK-FW型法兰接头 Flange Connector (JIS法兰)

基本订货号 Order information	A		DN	压力等级	L		B		D		J	
	(in)	(mm)			英寸 (in)	毫米 (mm)	英寸 (in)	毫米 (mm)	英寸 (in)	毫米 (mm)	英寸 (in)	毫米 (mm)
-SK-FW-4-15mm	1/4	15	10K		1.66	42.16	3.74	95.00	0.19	4.83	2.76	70.10
-SK-FW-6-15mm	3/8	15	10K		1.72	43.69	3.74	95.00	0.28	7.11	2.76	70.10
-SK-FW-8-15mm	1/2	15	10K		1.83	46.48	3.74	95.00	0.41	10.41	2.76	70.10
-SK-FW-12-15mm	3/4	15	10K		1.91	48.51	3.74	95.00	0.41	10.41	2.76	70.10
-SK-FW-8-25mm	1/2	25	10K		2.40	60.96	4.92	124.97	0.41	10.41	3.54	89.92



● -SK-WS型卫生法兰接头 Sanitary Flange Connector

基本订货号 Order information	A		D		W	L		G		法兰尺寸 (in)
	(in)	(in)	英寸 (in)	毫米 (mm)		英寸 (in)	毫米 (mm)	英寸 (in)	毫米 (mm)	
-SK-WS-4-8	1/4	0.19	4.8		1	1.52	39.9	0.98	24.9	1/2
-SK-WS-4-12	1/4	0.19	4.8		1	1.52	39.9	0.98	24.9	3/4
-SK-WS-4-16	1/4	0.19	4.8		13/8	1.57	39.9	1.98	50.3	1
-SK-WS-4-24	1/4	0.19	4.8		13/8	1.57	39.9	1.98	50.3	11/2
-SK-WS-6-8	3/8	0.28	7.1		1	1.63	41.4	0.98	24.9	1/2
-SK-WS-6-12	3/8	0.28	7.1		1	1.63	41.4	0.98	24.9	3/4
-SK-WS-6-16	3/8	0.28	7.1		13/8	1.63	41.4	1.98	50.3	1
-SK-WS-6-24	3/8	0.28	7.1		13/8	1.63	41.4	1.98	50.3	11/2
-SK-WS-8-8	1/2	0.37	9.4		1	1.74	44.2	0.98	24.9	1/2
-SK-WS-8-12	1/2	0.41	10.4		1	1.74	44.2	0.98	24.9	3/4
-SK-WS-8-16	1/2	0.41	10.4		13/8	1.74	44.2	0.98	24.9	1
-SK-WS-8-24	1/2	0.41	10.4		13/8	1.74	44.2	0.98	24.9	11/2

尺寸仅参考，并随时可能改变。The size is only for reference and can be changed accordingly.

SINYA

港商 扬中新亚自控工程有限公司
独资 YANGZHONG SINYA AUTO-CONTROL ENGINEERING CO., LTD.

地址：江苏省扬中经济开发区兴隆港北路

Add: Xinglong Port, Yangzhong, Zhenjiang, Jiangsu, China

电话(Tel): 0511-88783806

传真(Fax): 0511-88451691

网址(Http): www.deflok.com

邮箱(E-mail): sales@deflok.com